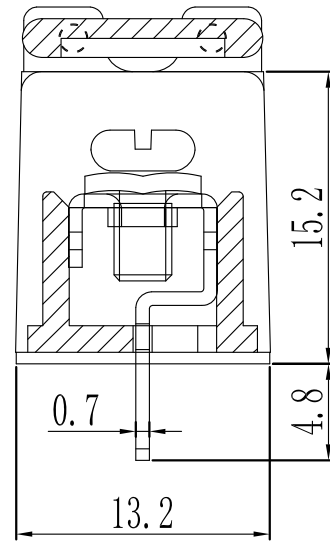
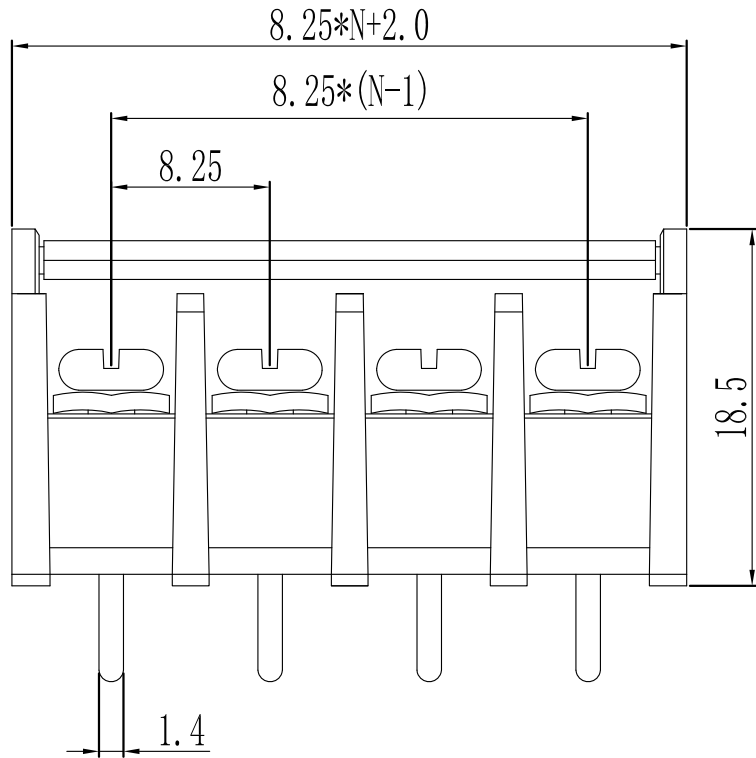
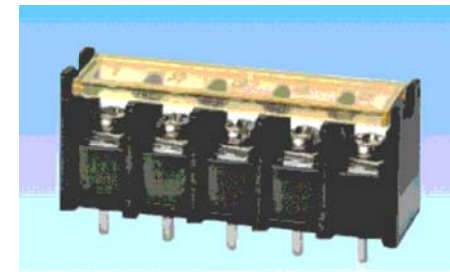


环保物料



| | | |
|-------|-----------------------|----------------------------------|
| 产品型号 | MODEL | KD-30CM |
| 材质&电镀 | MATERIAL&PLATING | |
| 螺丝 | Screw | M3.0, 钢, 镀镍 Steel, Nickel Plated |
| 端子 | Terminal | 黄铜, 0.7t 镀锡 Brass, Tin Plated |
| 塑件 | Housing | PA66, UL94V-0 |
| 电气性能 | ELECTRICAL | |
| 额定电压 | Rated voltage | 300V |
| 额定电流 | Rated current | 20A |
| 绝缘电阻 | Insulation resistance | 500MΩ/DC500V |
| 耐电压 | Withstanding voltage | AC2000V/1min |
| 使用线径 | Wire range | 22-14AWG 2.5mm ² |
| 机械性能 | MECHANICAL | |
| 温度范围 | Temp. range | -40℃~+105℃ |
| 扭矩 | Torque | 0.5N.m 4.4Lb.in |



N=Number of Contacts

| | | | | | | | | |
|------|-----------------|--------------------|----------|------------|------|------------|--|-----------|
| | | GENERAL TOLERANCES | | SCALE: 1:1 | NAME | DATE | 康导新能源 网址: www.dgonne.com 电话: 0769-85337633 邮箱: 2850176886@qq.com 传真: 0769-85392827 | PART. NO: |
| | | LINER | ANGLES | APPROVED | 黎腾 | 2017.06.16 | | KDTB0205 |
| A0 | 新图面发行 | 2017.06.16 | UNIT: MM | DESIGNER | 肖坤权 | 2017.06.16 | TITLE: Pitch8.25mm American/Japanese Terminal Blocks | DWG. NO: |
| REV. | REVISION RECORD | DATE | SIZE: A4 | DRAWN | 旷淇 | 2017.06.16 | | REV: A0 |