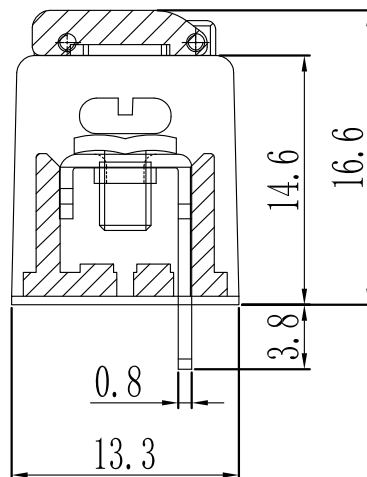
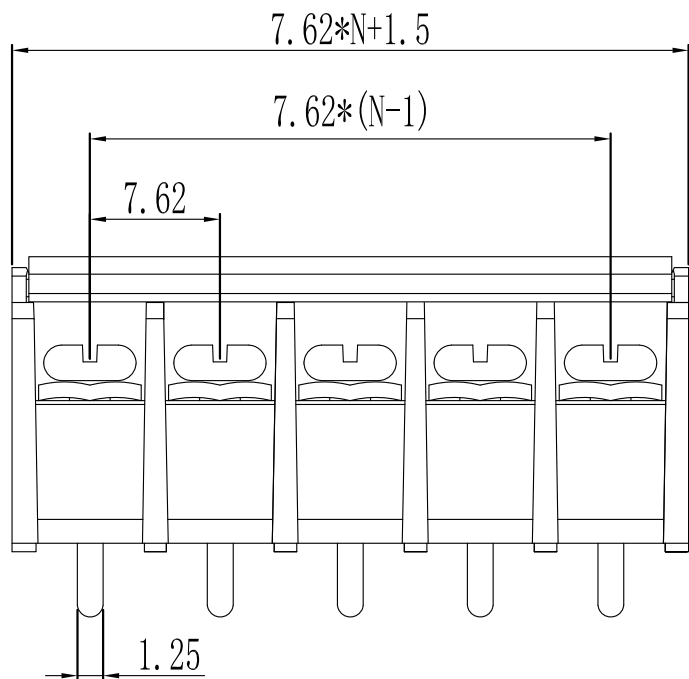
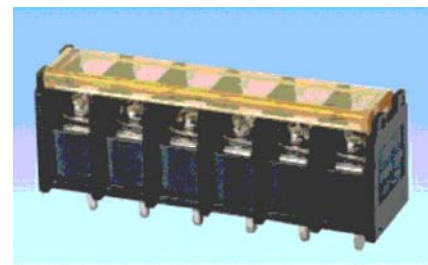


环保物料



产品型号	MODEL	KD-25SM
材质&电镀	MATERIAL&PLATING	
螺丝	Screw	M3.0, 钢, 镀镍 Steel, Nickel Plated
端子	Terminal	黄铜, 0.8t 镀锡 Brass, Tin Plated
塑件	Housing	PA66, UL94V-0
电气性能	ELECTRICAL	
额定电压	Rated voltage	300V
额定电流	Rated current	20A
绝缘电阻	Insulation resistance	500MΩ/DC500V
耐电压	Withstanding voltage	AC2000V/1min
使用线径	Wire range	22-14AWG 2.5mm <sup>2</sup>
机械性能	MECHANICAL	
温度范围	Temp. range	-40℃~+105℃
扭矩	Torque	0.5N.m 4.4Lb.in



N=Number of Contacts

		GENERAL TOLERANCES		SCALE:	NAME	DATE	康导新能源 网址: www.dgoonne.com 电话: 0769-85337633 邮箱: 2850176986@qq.com 传真: 0769-85392827	PART. NO:
		LINEAR	ANGLES	1:1	黎腾	2017.06.16		KDTB0200
		0.0±0.35	X° REF±6°	APPROVED	肖坤权	2017.06.16	TITLE:	DWG. NO:
A0	新图面发行	2017.06.16	UNIT: MM	DESIGNER	旷淇	2017.06.16		Pitch7.62mm American/Japanese Terminal Blocks
REV.	REVISION RECORD	DATE	SIZE: A4	DRAWN				SHEET: 1/1