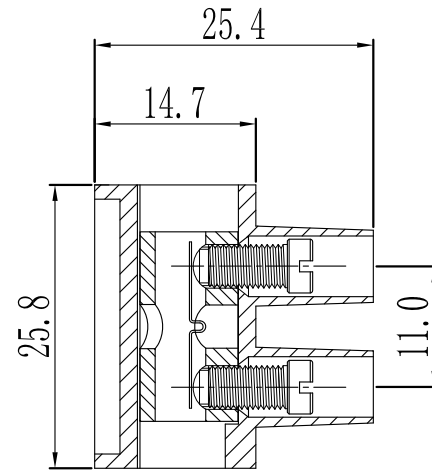
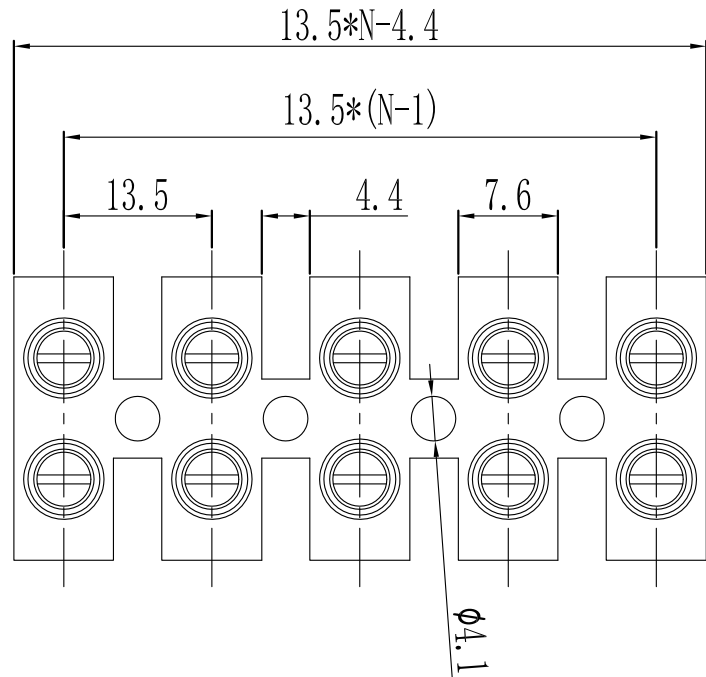
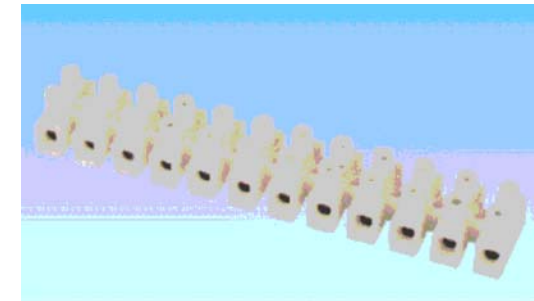


环保物料



N=Number of Contacts

产品型号	MODEL	HD14HWP
材质&电镀	MATERIAL&PLATING	
螺丝	Screw	M4.0, 钢, 镀锌 Steel, Zinc Plated
端子	Terminal	黄铜, 镀镍 Brass, Nickel plated
塑件	Housing	Nylon PA66, UL94V-2
电线保护装置	Wire protector	不锈钢 Stainless Steel
电气性能	ELECTRICAL	
额定电压	Rated voltage	AC500V
测试电流	Test current	to EN 60998:41A
使用线径	Wire range	2.5-10.0mm ²
机械性能	MECHANICAL	
温度范围	Temp. range	-40℃~+110℃
产品编号	Product number code	KD14HWP-XP
底座高	High base	H
-	XP	No. of pole 1...12:1pole...12pole
-	WP	保护器 With wire protector



		GENERAL TOLERANCES		SCALE: 1:1	NAME	DATE	康导新能源 网址: www.dgonne.com 电话: 0769-85337633 邮箱: 2850176886@qq.com 传真: 0769-85392827	PART. NO:	KDTB0189	
		LINEAR	ANGLES	APPROVED	黎腾	2017.06.16		DWG. NO:		
A0	新图面发行	2017.06.16	UNIT: MM	0.00±0.25	X° ±3°	DESIGNER	肖坤权	2017.06.16	TITLE:	Pitch13.50mm Feed Through Terminal Blocks
REV.	REVISION RECORD	DATE	SIZE: A4	0.000±0.15	X° X'±2°	DRAWN	旷淇	2017.06.16	REV:	A0
								SHEET:	1/1	