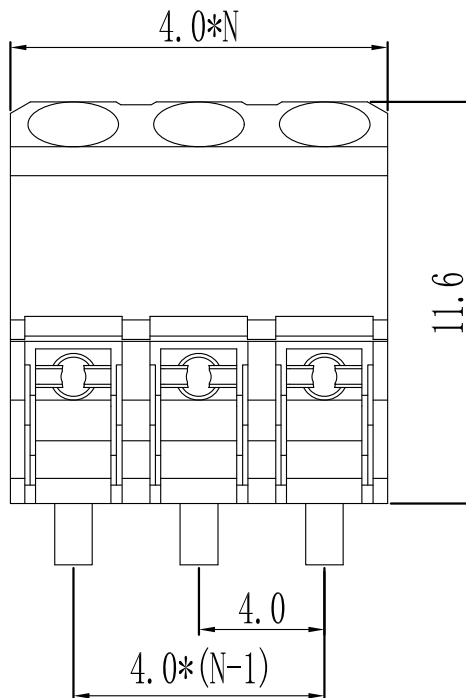
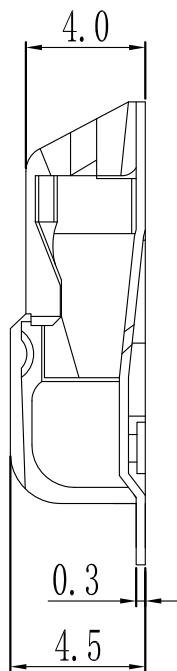
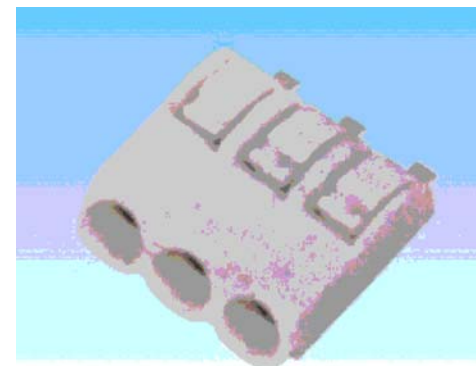


环保物料



N=Number of Contacts

产品型号	MODEL	KD151
材质&电镀	MATERIAL&PLATING	
螺丝	Screw	-
弹片	Reed	-
焊针	Pin header	磷青铜, 镀锡 Phosphor Bronze, Tin plated
塑件	Housing	高温尼龙 PA4T, UL94V-0
电气性能	ELECTRICAL	IEC
额定电压	Rated voltage	320V
额定电流	Rated current	9A
接触电阻	Contact resistance	20mΩ
绝缘电阻	Insulation resistance	500MΩ/1000V
耐电压	Withstanding voltage	AC1500V/1min
使用线径	Wire range	24-18AWG 0.75mm ²
机械性能	MECHANICAL	
温度范围	Temp. range	-40℃~+105℃
瞬时温度	Max. soldering	+250℃, 5sec
扭矩	Torque	-
剥线长度	Strip length	7mm



				GENERAL TOLERANCES		SCALE: 1:1	NAME	DATE	 康导新能源 网址: www.dgonne.com 电话: 0769-85337633 邮箱: 2850175886@qq.com 传真: 0769-85392827	PART. NO: KDTB0178	
				LINEAR	ANGLES	APPROVED	黎腾	2017.06.16		DWG. NO:	
A0	新图面发行	2017.06.16	UNIT: MM	0.00±0.25	X° ±3°	DESIGNER	肖坤权	2017.06.16	TITLE: Pitch4.00mm Screwless Terminal Blocks	REV: A0	SHEET: 1/1
REV.	REVISION RECORD	DATE	SIZE: A4	0.000±0.15	X° X'±2°	DRAWN	旷淇	2017.06.16			