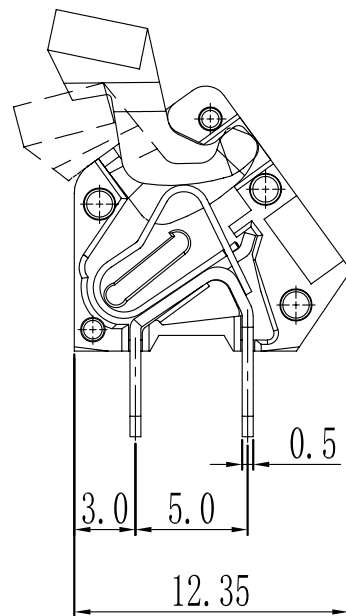
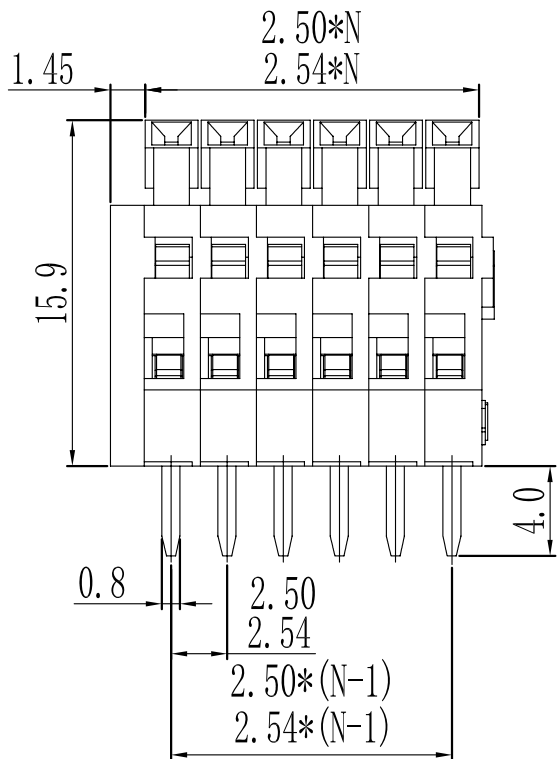
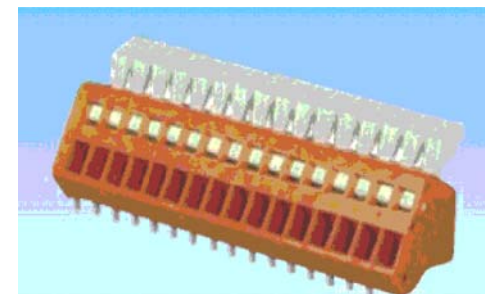


环保物料



产品型号	MODEL	KD187	
材质&电镀	MATERIAL&PLATING		
螺丝	Screw	-	
弹片	Reed	不锈钢 Stainless steel	
焊针	Pin header	黄铜, 镀锡 Brass, Tin plated	
塑件	Housing	PA66, UL94V-0	
电气性能	ELECTRICAL	UL	IEC
额定电压	Rated voltage	150V	130V
额定电流	Rated current	4A	6A
接触电阻	Contact resistance	20mΩ	
绝缘电阻	Insulation resistance	500MΩ/1000V	
耐电压	Withstanding voltage	AC1250V/1min	
使用线径	Wire range	28-20AWG 0.5mm <sup>2</sup>	
机械性能	MECHANICAL		
温度范围	Temp. range	-40℃~+105℃	
瞬时温度	Max. soldering	+250℃, 5sec	
扭矩	Torque	-	
剥线长度	Strip length	5-6mm	



N=Number of Contacts

				GENERAL TOLERANCES		SCALE:	NAME	DATE	 <b>康导新能源</b> 网址: www.dgonne.com 电话: 0769-85337633 邮箱: 2850176886@qq.com 传真: 0769-85392827	PART. NO:	KDTB0165	
				LINEAR	ANGLES	1:1	黎腾	2017.06.16		DWG. NO:		
				0.0±0.35	X° REF±6°	APPROVED	肖坤权	2017.06.16			REV: A0	SHEET: 1/1
A0	新图面发行	2017.06.16	UNIT: MM	0.00±0.25	X° ±3°	DESIGNER	旷淇	2017.06.16		TITLE: Pitch2.50/2.54mm Screwless Terminal Blocks		
REV.	REVISION RECORD	DATE	SIZE: A4	0.000±0.15	X° X'±2°	DRAWN						