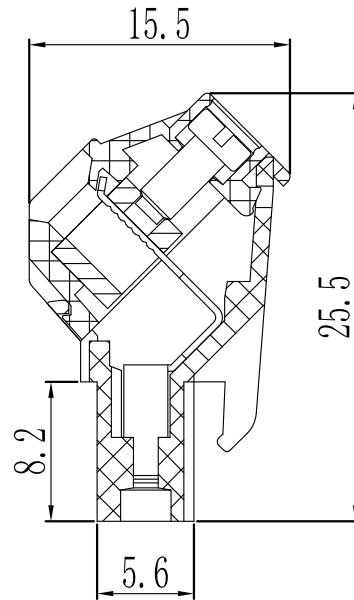
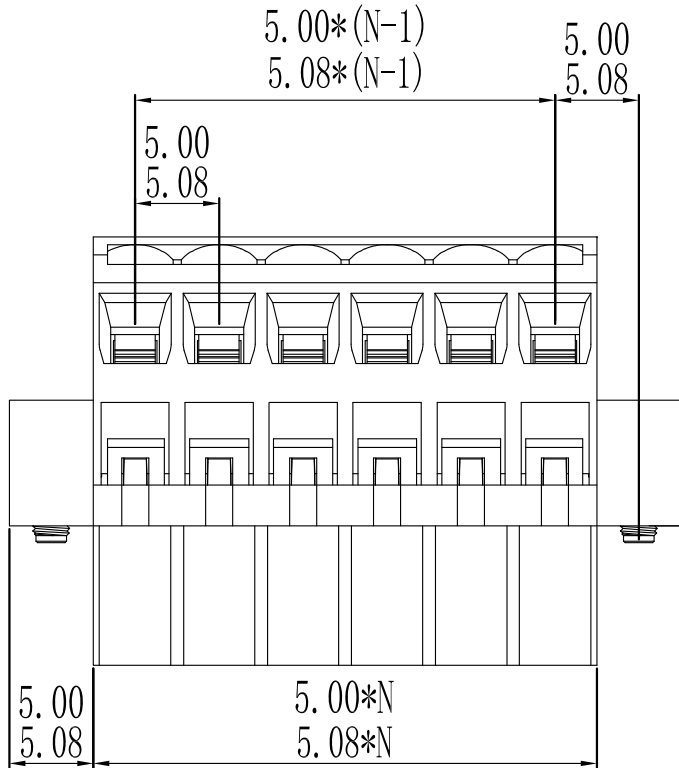
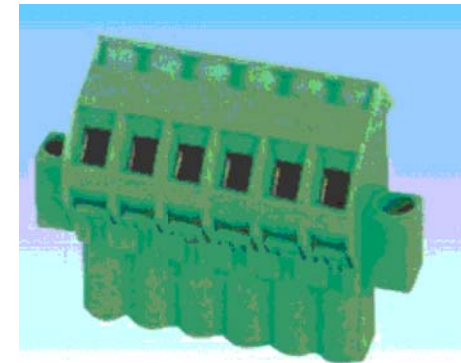


环保物料



产品型号	MODEL	KD2EKLM	
材质&电镀	MATERIAL&PLATING		
螺丝	Screw	M2.5, 钢, 镀锌	Steel, Zinc Plated
弹片	Reed	磷青铜	Phosphor Bronze
焊针	Pin header	-	
塑件	Housing	PA66, UL94V-0	
电气性能	ELECTRICAL	UL	IEC
额定电压	Rated voltage	300V	320V
额定电流	Rated current	15A	20A
接触电阻	Contact resistance	20mΩ	
绝缘电阻	Insulation resistance	500MΩ/1000V	
耐电压	Withstanding voltage	AC1500V/1min	
使用线径	Wire range	28-12AWG 2.5mm <sup>2</sup>	
机械性能	MECHANICAL		
温度范围	Temp. range	-40℃~+105℃	
瞬时温度	Max. soldering	+250℃, 5sec	
扭矩	Torque	0.4N.m 3.5Lb.in	
剥线长度	Strip length	7-8mm	



N=Number of Contacts

		GENERAL TOLERANCES		SCALE:	NAME	DATE	康导新能源 网址: www.dgponn.com 电话: 0769-85337633 邮箱: 2850178888@qq.com 传真: 0769-85392827	PART. NO:	KDTB0156	
				1:1	黎腾	2017.06.16		DWG. NO:		
			LINEAR	ANGLES	DESIGNER	肖坤权	2017.06.16		REV:	A0
			0.0±0.35	X° REF±6°	DRAWN	旷淇	2017.06.16	TITLE: Pitch5.00/5.08mm Pluggable Terminal Blocks		
AO	新图面发行	2017.06.16	UNIT: MM	0.00±0.25	X° ±3°					
REV.	REVISION RECORD	DATE	SIZE: A4	0.000±0.15	X° X'±2°					