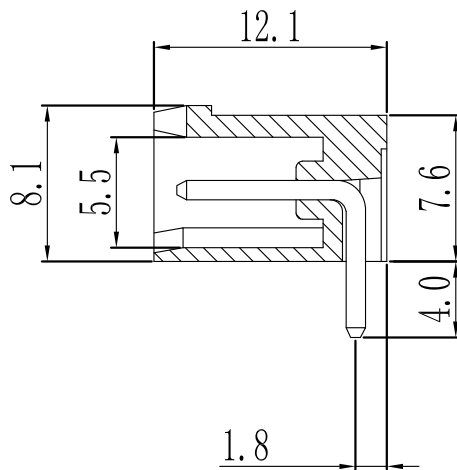
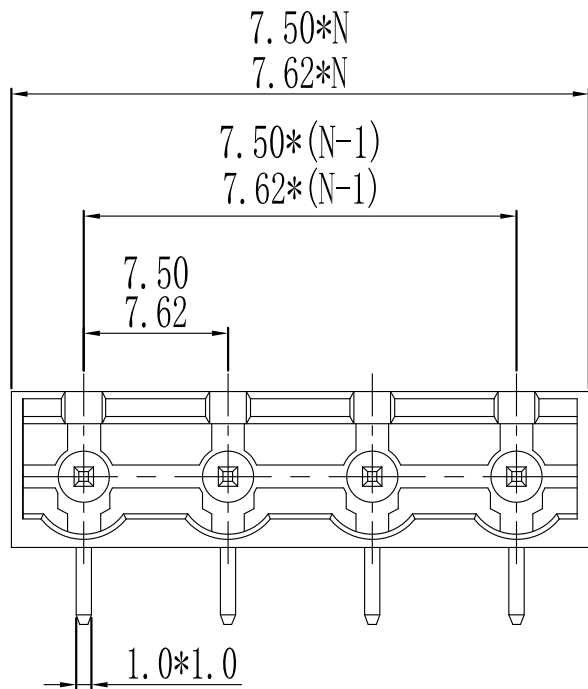
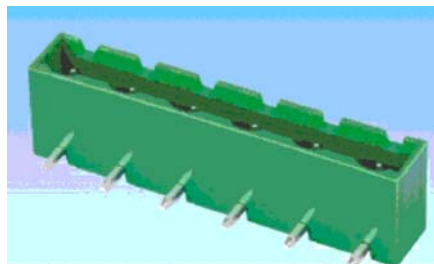


环保物料



N=Number of Contacts

产品型号	MODEL	KD2EDGCR-X	
材质&电镀	MATERIAL&PLATING		
螺丝	Screw	-	
弹片	Reed	-	
焊针	Pin header	黄铜, 镀锡 Brass, Tin plated	
塑件	Housing	PA66, UL94V-0	
电气性能	ELECTRICAL	UL	IEC
额定电压	Rated voltage	300V	400V
额定电流	Rated current	15A	20A
接触电阻	Contact resistance	20mΩ	
绝缘电阻	Insulation resistance	500MΩ/1000V	
耐电压	Withstanding voltage	AC2500V/1min	
使用线径	Wire range	-	
机械性能	MECHANICAL		
温度范围	Temp. range	-40℃~+105℃	
瞬时温度	Max. soldering	+250℃, 5sec	
扭矩	Torque	-	
剥线长度	Strip length	-	

				GENERAL TOLERANCES		SCALE: 1:1	NAME	DATE	康导新能源 网址: www.dgonne.com 电话: 0789-85337833 邮箱: 285017888@qq.com 传真: 0789-85392827	PART. NO:	KDTB0140
				LINEAR	ANGLES	APPROVED	黎腾	2017. 06. 16		DWG. NO:	
A0	新图面发行	2017. 06. 16	UNIT: MM	0. 00±0. 25	X° ±3°	DESIGNER	肖坤权	2017. 06. 16	TITLE:	Pitch7.50/7.62mm Pluggable Terminal Blocks	
REV.	REVISION RECORD	DATE	SIZE: A4	0. 000±0. 15	X° X'±2°	DRAWN	旷淇	2017. 06. 16	REV:	A0	SHEET: 1/1