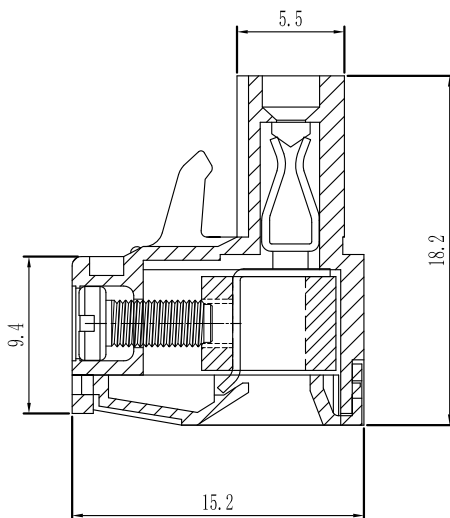
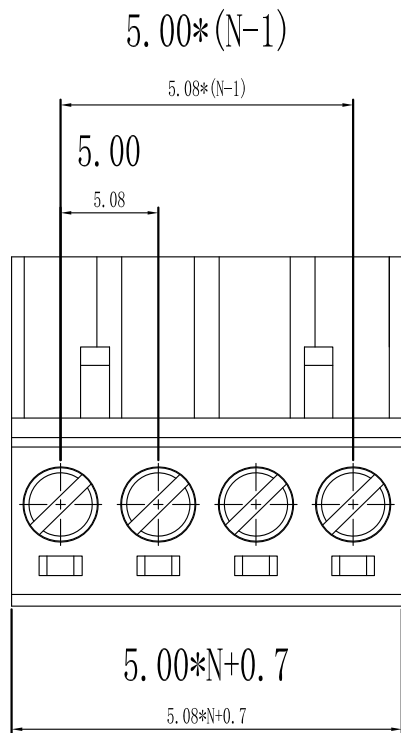
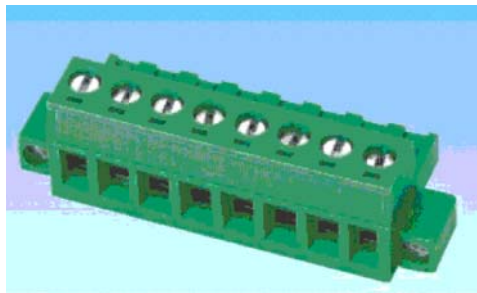


环保物料



产品型号	MODEL	KD222	
材质&电镀	MATERIAL&PLATING		
螺丝	Screw	M2.5, 钢, 镀锌 Steel, Zinc Plated	
弹片	Reed	磷青铜 Phosphor Bronze	
焊针	Pin header	-	
塑件	Housing	PA66, UL94V-0	
电气性能	ELECTRICAL	UL	IEC
额定电压	Rated voltage	300V	320V
额定电流	Rated current	15A	20A
接触电阻	Contact resistance	20mΩ	
绝缘电阻	Insulation resistance	500MΩ/1000V	
耐电压	Withstanding voltage	AC2000V/1min	
使用线径	Wire range	28-12AWG 2.5mm ²	
机械性能	MECHANICAL		
温度范围	Temp. range	-40℃~+105℃	
瞬时温度	Max. soldering	+250℃, 5sec	
扭矩	Torque	0.4N.m 3.5Lb.in	
剥线长度	Strip length	7-8mm	

N=Number of Contacts

				GENERAL TOLERANCES		SCALE:	NAME	DATE	康导新能源 网址: www.dgconne.com 电话: 0789-85337833 邮箱: 2850178888@qq.com 传真: 0789-85392827	PART. NO:	KDTB0110
				LINEAR	ANGLES	1:1	黎腾	2017.06.16		DWG. NO:	
A0	新图面发行	2017.06.16	UNIT: MM	0.00±0.25	X° ±3°	DESIGNER	肖坤权	2017.06.16	TITLE:	Pitch5.00/5.08mm Pluggable Terminal Blocks	
REV.	REVISION RECORD	DATE	SIZE: A4	0.000±0.15	X° X'±2°	DRAWN	旷淇	2017.06.16	REV:	A0	SHEET: 1/1