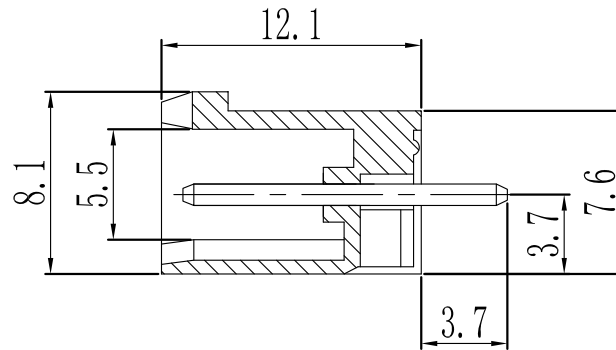
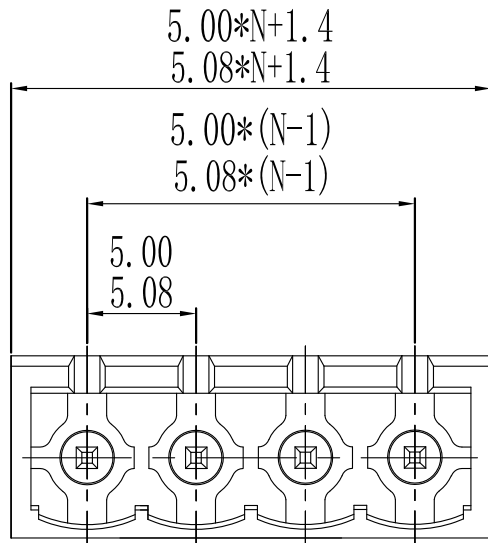
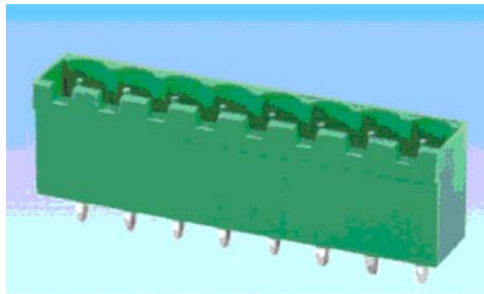


# 环保物料



N=Number of Contacts

|       |                       |                          |      |
|-------|-----------------------|--------------------------|------|
| 产品型号  | MODEL                 | KD2EDGCV-X               |      |
| 材质&电镀 | MATERIAL&PLATING      |                          |      |
| 螺丝    | Screw                 | -                        |      |
| 弹片    | Reed                  | -                        |      |
| 焊针    | Pin header            | 黄铜, 镀锡 Brass, Tin plated |      |
| 塑件    | Housing               | PA66, UL94V-0            |      |
| 电气性能  | ELECTRICAL            | UL                       | IEC  |
| 额定电压  | Rated voltage         | 300V                     | 320V |
| 额定电流  | Rated current         | 15A                      | 20A  |
| 接触电阻  | Contact resistance    | 20mΩ                     |      |
| 绝缘电阻  | Insulation resistance | 500MΩ/1000V              |      |
| 耐电压   | Withstanding voltage  | AC2000V/1min             |      |
| 使用线径  | Wire range            | -                        |      |
| 机械性能  | MECHANICAL            |                          |      |
| 温度范围  | Temp. range           | -40℃~+105℃               |      |
| 瞬时温度  | Max. soldering        | +250℃, 5sec              |      |
| 扭矩    | Torque                | -                        |      |
| 剥线长度  | Strip length          | -                        |      |

|      |                 |            |          |                    |          |               |      |            |  |                       |
|------|-----------------|------------|----------|--------------------|----------|---------------|------|------------|--|-----------------------|
|      |                 |            |          | GENERAL TOLERANCES |          | SCALE:<br>1:1 | NAME | DATE       | 康导新能源<br>网址: www.dgoonne.com 电话: 0789-85337833<br>邮箱: 285017888@qq.com 传真: 0789-85392827 | PART. NO:<br>KDTB0101 |
|      |                 |            |          | LINEAR             | ANGLES   | APPROVED      | 黎腾   | 2017.06.16 |  | DWG. NO:              |
| A0   | 新图面发行           | 2017.06.16 | UNIT: MM | 0.00±0.25          | X° ±3°   | DESIGNER      | 肖坤权  | 2017.06.16 | TITLE:<br>Pitch5.00/5.08mm Pluggable Terminal Blocks                                     | REV: A0               |
| REV. | REVISION RECORD | DATE       | SIZE: A4 | 0.000±0.15         | X° X'±2° | DRAWN         | 旷淇   | 2017.06.16 |  | SHEET: 1/1            |