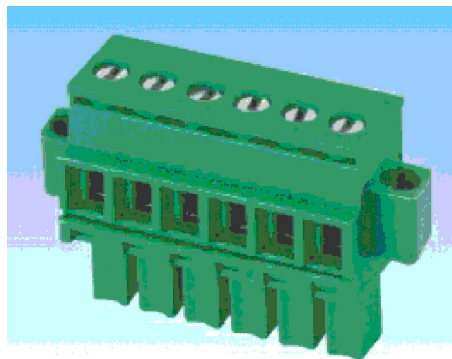
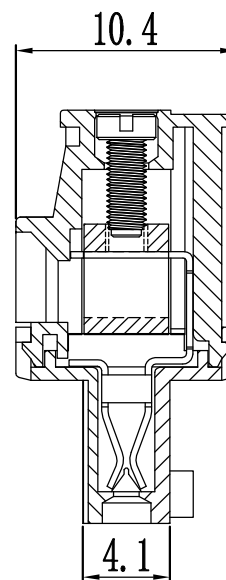
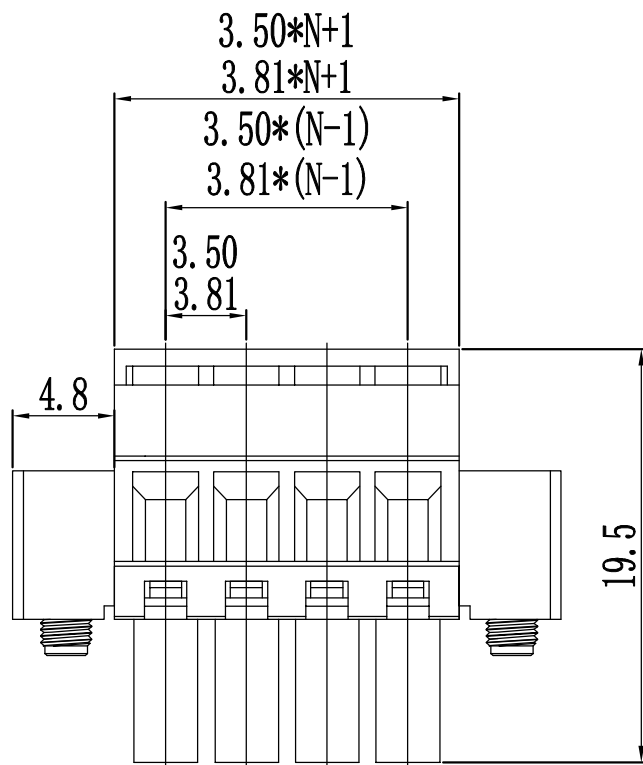


# 环保物料



产品型号	MODEL	KD12EKBM
材质&电镀	MATERIAL&PLATING	
螺丝	Screw	M2.0, 钢, 镀锌 Steel, Zinc Plated
弹片	Reed	磷青铜 Phosphor Bronze
焊针	Pin header	-
塑件	Housing	PA66, UL94V-0
电气性能	ELECTRICAL	UL IEC
额定电压	Rated voltage	300V 250V
额定电流	Rated current	8A 7A
接触电阻	Contact resistance	20mΩ
绝缘电阻	Insulation resistance	500MΩ/1000V
耐电压	Withstanding voltage	AC1500V/1min
使用线径	Wire range	28-16AWG 0.5-1.5mm <sup>2</sup>
机械性能	MECHANICAL	
温度范围	Temp. range	-40℃~+105℃
瞬时温度	Max. soldering	+250℃, 5sec
扭矩	Torque	0.2N.m 1.7Lb.in
剥线长度	Strip length	6-7mm



N=Number of Contacts

		GENERAL TOLERANCES		SCALE:	NAME	DATE	<b>康导新能源</b> 网址: www.dgonne.com 电话: 0769-85337633 邮箱: 2850175986@qq.com 传真: 0769-85392627	PART. NO:	
		LINEAR      ANGLES 0.0±0.35    X° REF±6°		1:1	黎腾	2017.06.16		KDTB0076	
				APPROVED	肖坤权	2017.06.16	DWG. NO:		
AO	新图面发行	2017.06.16	UNIT: MM	DESIGNER	旷淇	2017.06.16	REV: AO		
REV.	REVISION RECORD	DATE	SIZE: A4	DRAWN			SHEET: 1/1		
			0.00±0.25						
			0.000±0.15						