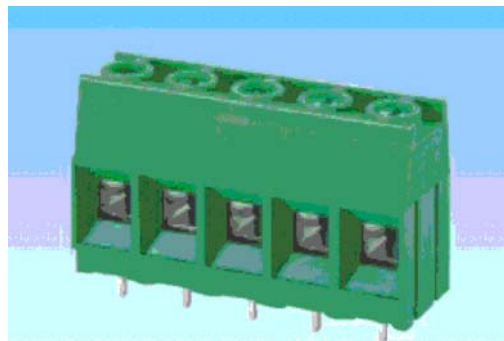
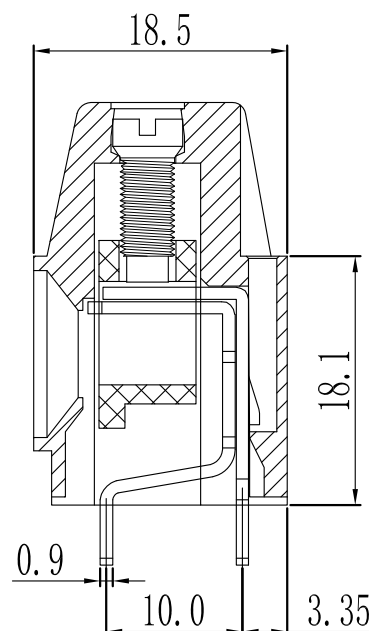
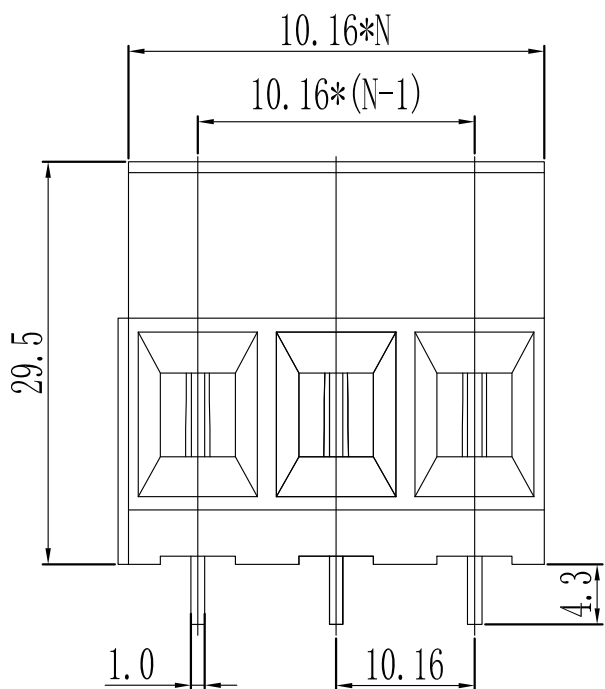


环保物料



产品型号	MODEL	KD136
材质&电镀	MATERIAL&PLATING	
螺丝	Screw	M4.0, 钢, 镀锌 steel, Zinc Plated
弹片	Reed	黄铜, 镀镍 Brass, Ni plated
焊针	Pin header	黄铜, 镀锡 Brass, Tin plated
塑件	Housing	PA66, UL94V-0
电气性能	ELECTRICAL	UL IEC
额定电压	Rated voltage	600V 1000V
额定电流	Rated current	52A 65A
接触电阻	Contact resistance	20mΩ
绝缘电阻	Insulation resistance	500MΩ/1000V
耐电压	Withstanding voltage	AC3000V/1min
使用线径	Wire range	20-6AWG 16.0mm ²
机械性能	MECHANICAL	
温度范围	Temp. range	-40℃~+105℃
瞬时温度	Max. soldering	+250℃, 5sec
扭矩	Torque	1.2N.m 10.5Lb. in
剥线长度	Strip length	10mm



N=Number of Contacts

				GENERAL TOLERANCES		SCALE:	NAME	DATE	<p>康导新能源</p> <p>网址: www.dgconne.com 电话: 0789-85337833 邮箱: 2850178888@qq.com 传真: 0789-85392827</p>	PART. NO:	KDTB0059	
				LINEAR	ANGLES	1:1	APPROVED	黎腾		2017.06.16	DWG. NO:	
				0.0±0.35	X° REF±6°		DESIGNER	肖坤权		2017.06.16	REV:	A0
A0	新图面发行	2017.06.16	UNIT: MM	0.00±0.25	X° ±3°		DRAWN	旷淇		2017.06.16	SHEET:	1/1
REV.	REVISION RECORD	DATE	SIZE: A4	0.000±0.15	X° X'±2°	TITLE:		Pitch 10.16mm Euro Terminal Blocks				