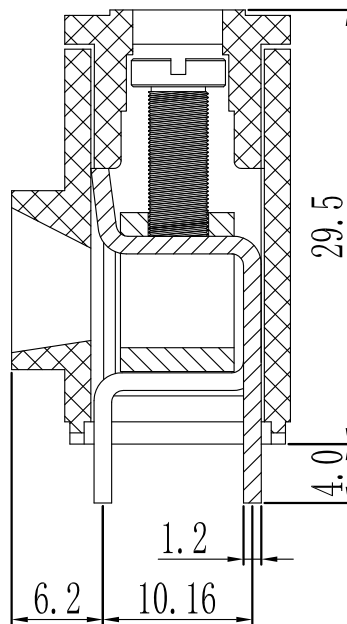
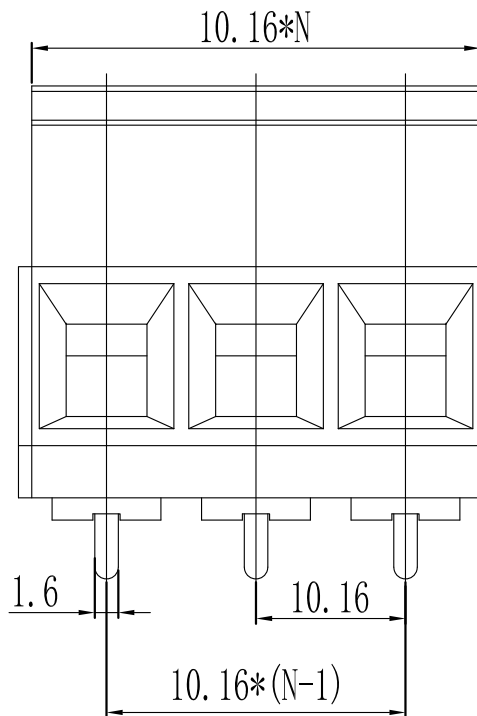
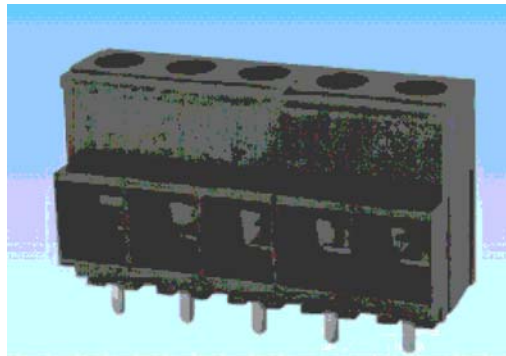


环保物料



产品型号	MODEL	KD135	
材质&电镀	MATERIAL&PLATING		
螺丝	Screw	M4.0, 钢, 镀锌	steel, Zinc Plated
弹片	Reed	黄铜, 镀镍	Brass, Ni plated
焊针	Pin header	黄铜, 镀锡	Brass, Tin plated
塑件	Housing	PA66, UL94V-0	
电气性能	ELECTRICAL	UL	IEC
额定电压	Rated voltage	600V	1000V
额定电流	Rated current	52A	65A
接触电阻	Contact resistance	20mΩ	
绝缘电阻	Insulation resistance	500MΩ/1000V	
耐电压	Withstanding voltage	AC3000V/1min	
使用线径	Wire range	6-20AWG 16.0mm ²	
机械性能	MECHANICAL		
温度范围	Temp. range	-40℃~+105℃	
瞬时温度	Max. soldering	+250℃, 5sec	
扭矩	Torque	1.2N.m 10.6Lb.in	
剥线长度	Strip length	10mm	

N=Number of Contacts

		GENERAL TOLERANCES		SCALE:	NAME	DATE	康导新能源 网址: www.dgonne.com 电话: 0769-85337633 邮箱: 285017888@qq.com 传真: 0769-85392827	PART. NO:	KDTB0058	
				1:1	黎腾	2017.06.16		DWG. NO:		
AO	新图面发行	2017.06.16	UNIT: MM	0.00±0.25	X° ±3°	DESIGNER	肖坤权	TITLE:		REV: A0 SHEET: 1/1
REV.	REVISION RECORD	DATE	SIZE: A4	0.000±0.15	X° X'±2°	DRAWN	旷淇	Pitch 10.16mm Euro Terminal Blocks		