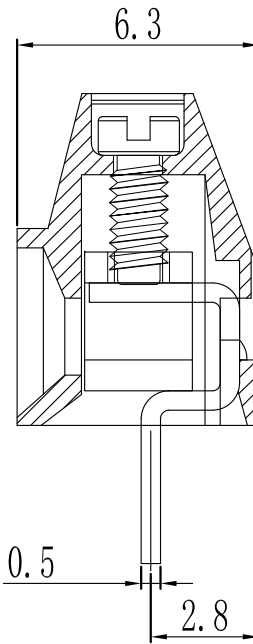
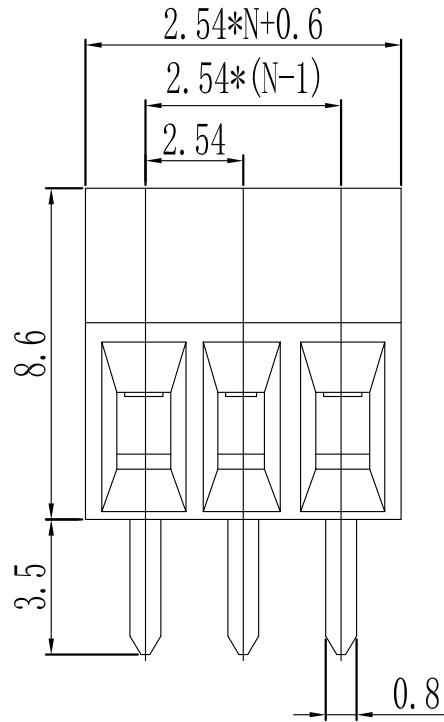
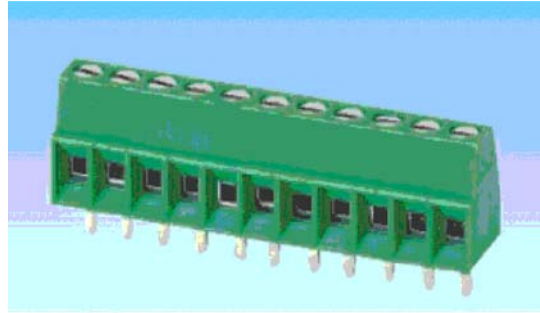


# 环保物料



产品型号	MODEL	KD120	
材质&电镀	MATERIAL&PLATING		
螺丝	Screw	M1.6, 钢, 镀锌	steel, Zinc Plated
弹片	Reed	黄铜, 镀镍	Brass, Ni plated
焊针	Pin header	黄铜, 镀锡	Brass, Tin plated
塑件	Housing	PA66, UL94V-0	
电气性能	ELECTRICAL	UL	IEC
额定电压	Rated voltage	150V	130V
额定电流	Rated current	6A	8A
接触电阻	Contact resistance	20mΩ	
绝缘电阻	Insulation resistance	500MΩ/1000V	
耐电压	Withstanding voltage	AC1500V/1min	
使用线径	Wire range	26-18AWG 1.0mm <sup>2</sup>	
机械性能	MECHANICAL		
温度范围	Temp. range	-40℃ ~ +105℃	
瞬时温度	Max. soldering	+250℃, 5sec	
扭矩	Torque	0.1N.m 0.89Lb.in	
剥线长度	Strip length	3.7-4.7mm	

N=Number of Contacts

				GENERAL TOLERANCES		SCALE: 1:1	NAME	DATE	康导新能源 网址: www.dgonne.com 电话: 0769-85337633 邮箱: 2850175988@qq.com 传真: 0769-85392827	PART. NO:	KDTB0033
				LINEAR	ANGLES	APPROVED	黎腾	2017.06.16		DWG. NO:	
A0	新图面发行	2017.06.16	UNIT: MM	0.00±0.25	X° ±3°	DESIGNER	肖坤权	2017.06.16	TITLE:	Pitch 2.54mm Euro Terminal Blocks	
REV.	REVISION RECORD	DATE	SIZE: A4	0.000±0.15	X° X' ±2°	DRAWN	旷淇	2017.06.16	REV:	A0	SHEET: 1/1