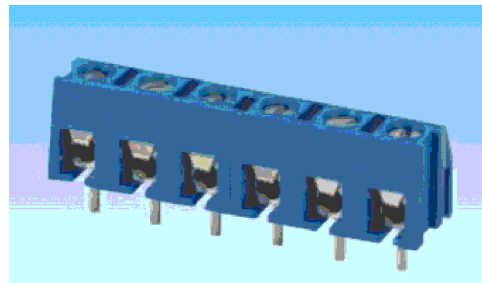
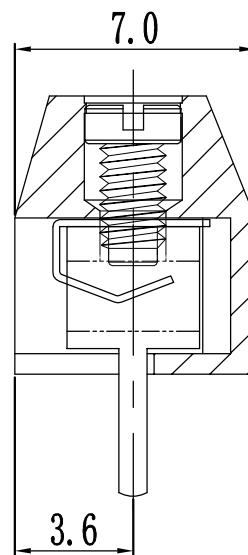
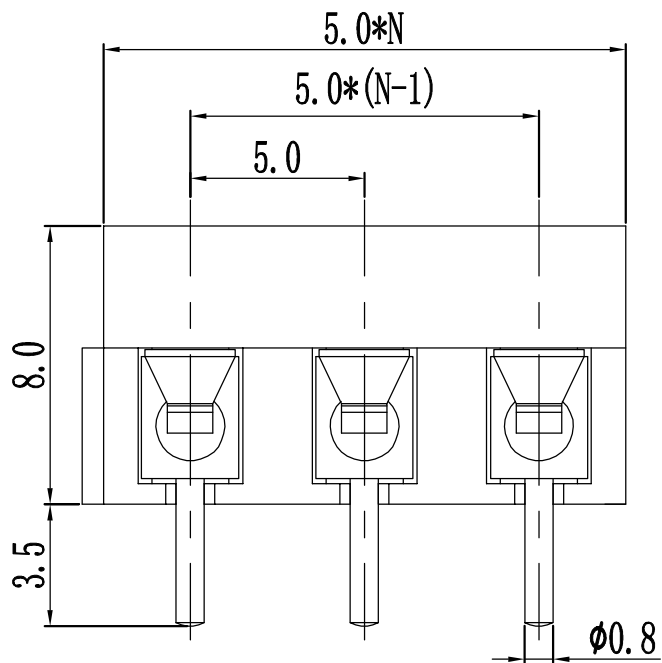


环保物料



产品型号	MODEL	KD125V
材质&电镀	MATERIAL&PLATING	
螺丝	Screw	M2.0, 钢, 镀锌 steel, Zinc Plated
弹片	Reed	磷青铜镀镍或不锈钢 Phosphor Bronze, Ni plated or stainless steel
焊针	Pin header	黄铜, 镀锡 Brass, Tin plated
塑件	Housing	PA66, UL94V-0
电气性能	ELECTRICAL	UL IEC
额定电压	Rated voltage	300V 250V
额定电流	Rated current	10A 12A
接触电阻	Contact resistance	20mΩ
绝缘电阻	Insulation resistance	500MΩ/1000V
耐电压	Withstanding voltage	AC1500V/1min
使用线径	Wire range	22-16AWG 1.5mm <sup>2</sup>
机械性能	MECHANICAL	
温度范围	Temp. range	-40℃~+105℃
瞬时温度	Max. soldering	+250℃, 5sec
扭矩	Torque	0.2N.m 1.7Lb.in
剥线长度	Strip length	4.5-5mm



N=Number of Contacts



		GENERAL TOLERANCES		SCALE: 1:1	NAME	DATE	康 导 新 能 源 网址: www.dgconne.com 电话: 0769-85337633 邮箱: 2850175886@qq.com 传真: 0769-85392827	PART. NO: KDTB0020	
		LINEAR	ANGLES	APPROVED	黎腾	2017.06.16		DWG. NO:	
		0.00±0.35	X° REF±6°	DESIGNER	肖坤权	2017.06.16	REV: A0	SHEET: 1/1	
AO	新图面发行	2017.06.16	UNIT: MM	0.00±0.25	X° ±3°	DRAWN	旷淇	2017.06.16	Pitch 5.00mm Euro Terminal Blocks
REV.	REVISION RECORD	DATE	SIZE: A4	0.000±0.15	X° X'±2°				