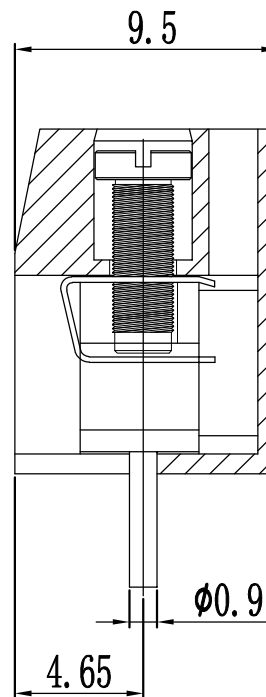
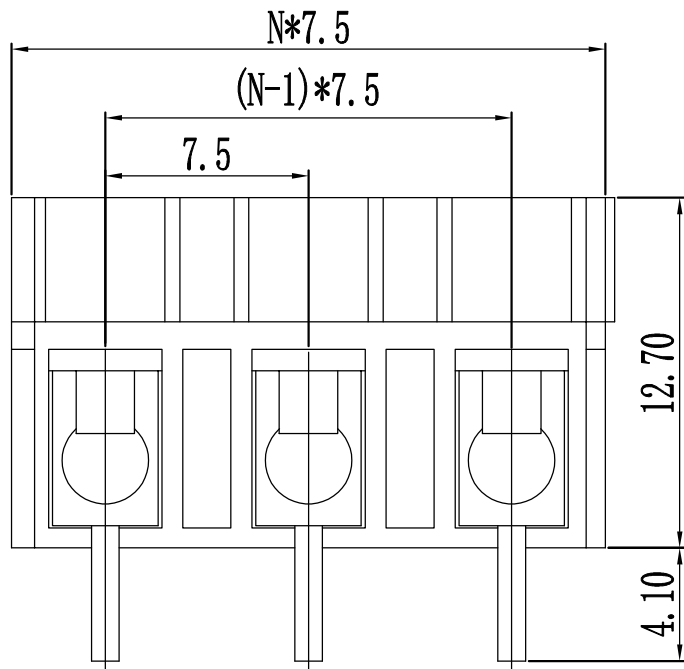
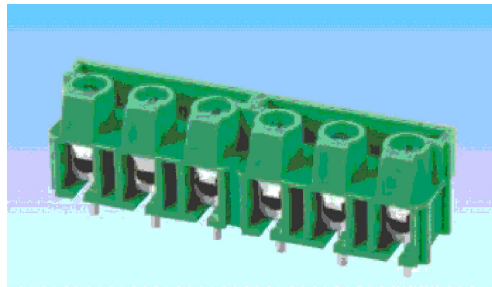


环保物料



产品型号	MODEL	KD360	
材质&电镀	MATERIAL&PLATING	M3.0, 钢, 镀锌 steel, Zinc Plated	
螺丝	Screw	M3.0, 钢, 镀锌 steel, Zinc Plated	
弹片	Reed	磷青铜镀镍或不锈钢 Phosphor Bronze, Ni plated or stainless steel	
焊针	Pin header	黄铜, 镀锡 Brass, Tin plated	
塑件	Housing	PA66, UL94V-0	
电气性能	ELECTRICAL	UL	IEC
额定电压	Rated voltage	300V	450V
额定电流	Rated current	16A	24A
接触电阻	Contact resistance	20mΩ	
绝缘电阻	Insulation resistance	500MΩ/1000V	
耐电压	Withstanding voltage	AC2500V/1min	
使用线径	Wire range	22-14AWG 2.5mm ²	
机械性能	MECHANICAL		
温度范围	Temp. range	-30℃~+105℃	
瞬时温度	Max. soldering	+250℃, 5sec	
扭矩	Torque	0.5N.m 4.4lb.in	
剥线长度	Strip length	4.5-5mm	

N=Number of Contacts

		GENERAL TOLERANCES		SCALE:	NAME	DATE	康导新能源 网址: www.dgoonne.com 电话: 0769-85337633 邮箱: 2850176988@qq.com 传真: 0769-85392627	PART. NO:	KDTB0012				
		LINEAR	ANGLES	1:1	黎腾	2017.06.16		APPROVED					
		0.0±0.35	X° REF±6°		肖坤权	2017.06.16	DESIGNER	DWG. NO:					
AO	新图面发行	2017.06.16	UNIT: MM	0.00±0.25	X° ±3°		DRAWN	旷淇	2017.06.16	TITLE:	Pitch 7.50mm Euro Terminal Blocks	REV: AO	SHEET: 1/1
REV.	REVISION RECORD	DATE	SIZE: A4	0.000±0.15	X° X'±2°								