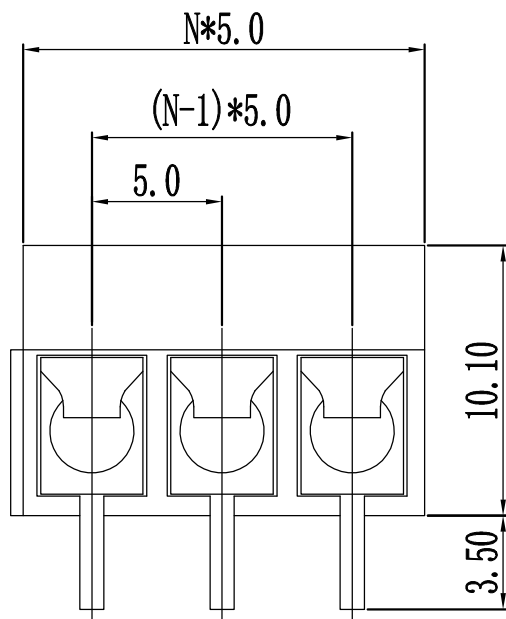
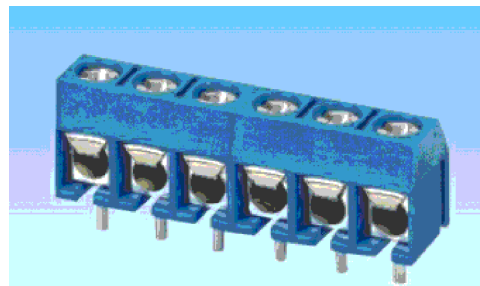
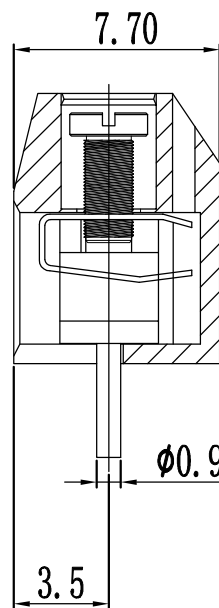


环保物料



N=Number of Contacts



产品型号	MODEL	KD301V	
材质&电镀	MATERIAL&PLATING	M2.5, 钢, 镀锌 steel, Zinc Plated	
螺丝	Screw	磷青铜镀镍或不锈钢 Phosphor Bronze, Ni plated or stainless steel	
弹片	Reed	黄铜, 镀锡 Brass, Tin plated	
焊针	Pin header	PBT, UL94V-0	
塑件	Housing	UL	IEC
电气性能	ELECTRICAL	300V	250V
额定电压	Rated voltage	12A	17.5A
额定电流	Rated current	20mΩ	
接触电阻	Contact resistance	500Ω/1000V	
绝缘电阻	Insulation resistance	AC2000V/1min	
耐电压	Withstanding voltage	22-14AWG 2.5mm ²	
使用线径	Wire range	MECHANICAL	
机械性能	MECHANICAL	Temp. range	-30°C~+120°C
温度范围	Temp. range	Max. soldering	+250°C, 5sec
瞬时温度	Max. soldering	Torque	0.4N.m 3.5Lb.in
扭矩	Torque	Strip length	4.5-5mm
剥线长度	Strip length		

		GENERAL TOLERANCES		SCALE: 1:1	NAME	DATE	康导新能源 网址: www.dgconne.com 电话: 0769-85337633 邮箱: 2850175888@qq.com 传真: 0769-85392827	PART. NO:	KDTB0008
		LINER	ANGLES	APPROVED	黎腾	2017.06.16		DWG. NO:	
AO	新图面发行	2017.06.16	UNIT: MM	DESIGNER	肖坤权	2017.06.16	TITLE:	REV: AO	SHEET: 1/1
REV.	REVISION RECORD	DATE	SIZE: A4	DRAWN	旷淇	2017.06.16	Pitch 5.00mm Euro Terminal Blocks		