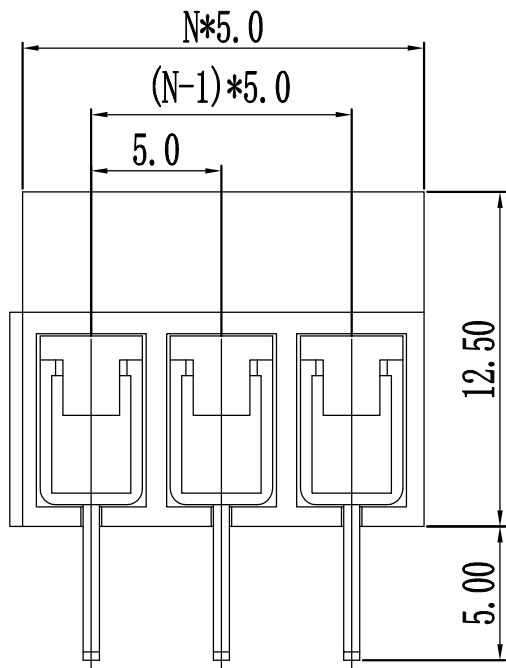
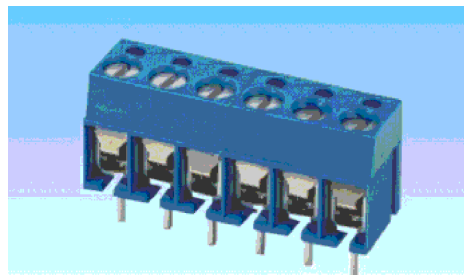
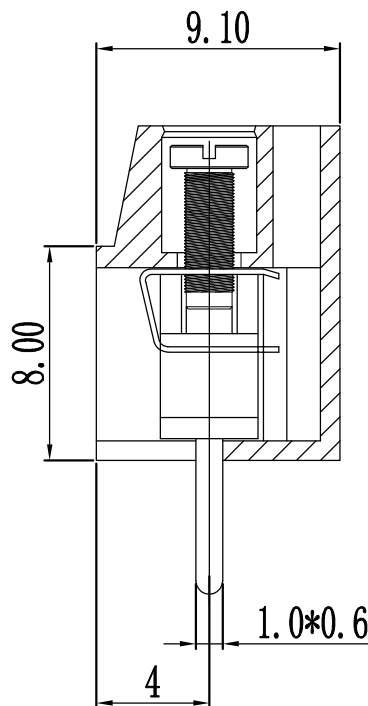


环保物料



N=Number of Contacts



产品型号	MODEL	KD305	
材质&电镀	MATERIAL&PLATING		
螺丝	Screw	M2.5, 钢, 镀锌 steel, Zinc Plated	
弹片	Reed	磷青铜镀镍或不锈钢 Phosphor Bronze, Ni plated or stainless steel	
焊针	Pin header	黄铜, 镀锡 Brass, Tin plated	
塑件	Housing	PBT, UL94V-0	
电气性能	ELECTRICAL	UL	IEC
额定电压	Rated voltage	300V	250V
额定电流	Rated current	12A	20A
接触电阻	Contact resistance	20mΩ	
绝缘电阻	Insulation resistance	500MΩ/1000V	
耐电压	Withstanding voltage	AC2000V/1min	
使用线径	Wire range	22-14AWG 2.5mm ²	
机械性能	MECHANICAL		
温度范围	Temp. range	-30℃~+120℃	
瞬时温度	Max. soldering	+250℃, 5sec	
扭矩	Torque	0.4N.m 3.5Lb.in	
剥线长度	Strip length	4.5-5mm	

		GENERAL TOLERANCES		SCALE:	NAME	DATE	康 导 新 能 源 PART. NO: KDTB0003
				1:1	黎腾	2017. 06. 16	
				APPROVED	肖坤权	2017. 06. 16	DWG. NO:
				DESIGNER	旷淇	2017. 06. 16	
AO	新图面发行	2017. 06. 16	UNIT: MM	TITLE:		Pitch 5.00mm Euro Terminal Blocks	
REV.	REVISION RECORD	DATE	SIZE: A4	DRAWN		REV: AO	SHEET: 1/1

康 导 新 能 源
 网址: www.dgconne.com 电话: 0769-85337633
 邮箱: 2850175988@qq.com 传真: 0769-85392827