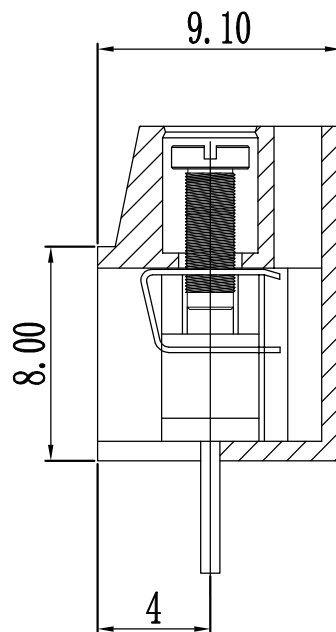
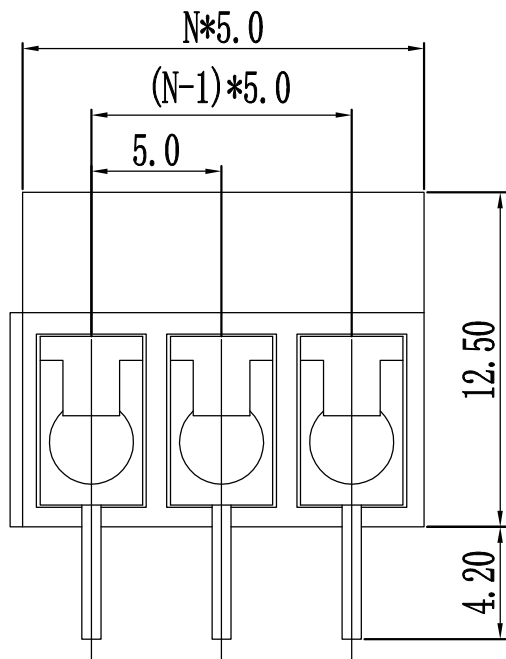
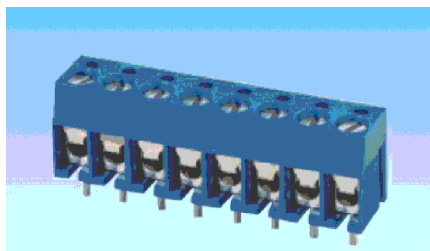


环保物料



N=Number of Contacts

产品型号	MODEL	KD300V	
材质&电镀	MATERIAL&PLATING	磷青铜镀镍或不锈钢 Phosphor Bronze, Ni plated or stainless steel	
螺丝	Screw	M3.0, 钢, 镀锌 steel, Zinc Plated	
弹片	Reed		
焊针	Pin header	黄铜, 镀锡 Brass, Tin plated	
塑件	Housing	PBT, UL94V-0	
电气性能	ELECTRICAL	UL	IEC
额定电压	Rated voltage	300V	250V
额定电流	Rated current	12A	24A
接触电阻	Contact resistance	20mΩ	
绝缘电阻	Insulation resistance	500MΩ/1000V	
耐电压	Withstanding voltage	AC2000V/1min	
使用线径	Wire range	22-14AWG 2.5mm ²	
机械性能	MECHANICAL		
温度范围	Temp. range	-30℃~+120℃	
瞬时温度	Max. soldering	+250℃, 5sec	
扭矩	Torque		
剥线长度	Strip length	4.5-5mm	

		GENERAL TOLERANCES		SCALE: 1:1	NAME	DATE	康导新能源 网址: www.dgconne.com 电话: 0769-85337633 邮箱: 2850175886@qq.com 传真: 0769-85392827	PART. NO:	KDTB0001	
		LINEAR	ANGLES	APPROVED	黎腾	2017.06.16		DWG. NO:		
AO	新图面发行	2017.06.16	UNIT: MM	DESIGNER	肖坤权	2017.06.16	TITLE:	Pitch 5.00mm Euro Terminal Blocks		
REV.	REVISION RECORD	DATE	SIZE: A4	DRAWN	旷淇	2017.06.16	REV:	AO	SHEET:	1/1