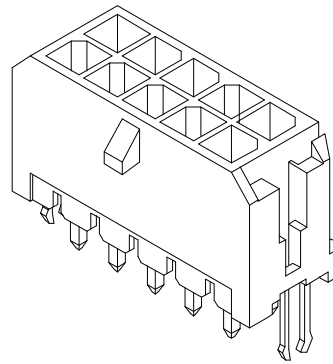
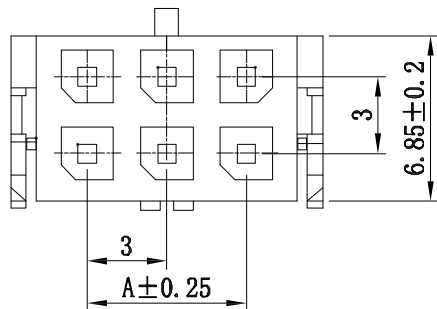
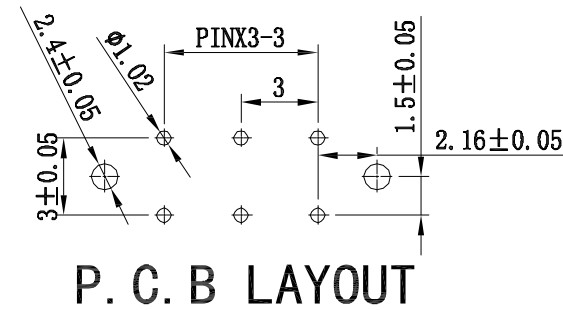
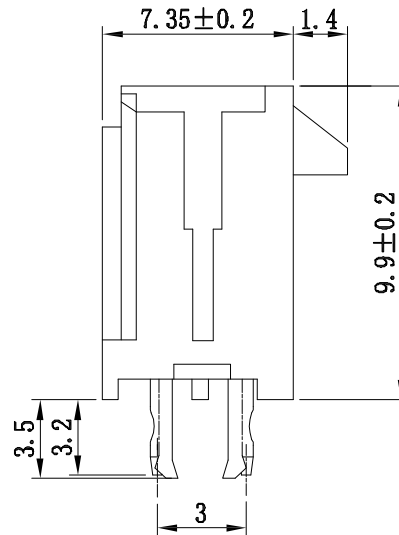
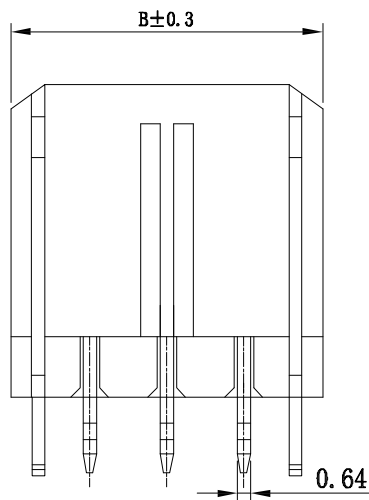


环保物料



Specifications:

- Contact resistance: $\leq 20m\Omega$
- Insulation resistance: $\geq 1000M\Omega$
- Rated voltage: 250V AC DC
- Rated current: 5.0A AC DC
- Withstand Voltage: 1000V AC/minute
- Temperature Range: $-25^{\circ}C \sim +85^{\circ}C$



Poles	DIM A	DIM B
2x1		6.65
2x2	3.00	9.65
2x3	6.00	12.65
2x4	9.00	15.65
2x5	12.00	18.65
2x6	15.00	21.65
2x7	18.00	24.65
2x8	21.00	27.65
2x9	24.00	30.65
2x10	27.00	33.65
2x11	30.00	36.65
2x12	33.00	39.65

3	Press-fit	Brass Tin	2		
2	Contact	Brass Tin	N		
1	Housing	LCP (UL94V-0)	1	Black	
序号	图号	名称	材料	数量	附注

GENERAL TOLERANCES		SCALE:	NAME	DATE				
		1:1						
LINEAR	ANGLES	APPROVED	黎腾	2017.06.16				
0.00±0.35	X° REF±6°	DESIGNER	肖坤权	2017.06.16				
A0	新图面发行	2017.06.16	UNIT: MM	0.00±0.25	X° ±3°	DRAWN	旷淇	2017.06.16
REV.	REVISION RECORD	DATE	SIZE: A4	0.000±0.15	X° X'±2°			

康导新能源
 网址: www.dgoonne.com 电话: 0769-85337633
 邮箱: 2850175988@qq.com 传真: 0769-85392827

PART. NO:	23002AWVC	
DWG. NO:		
REV:	A0	SHEET: 1/1