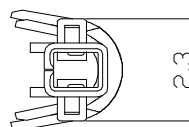
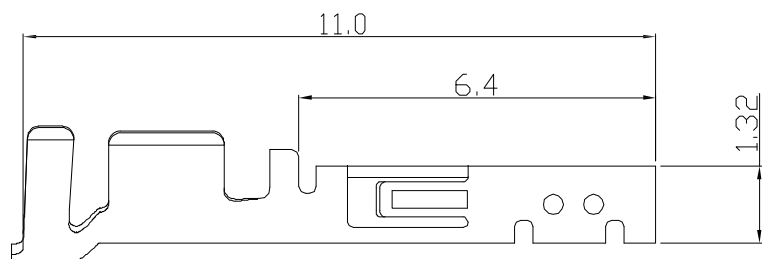
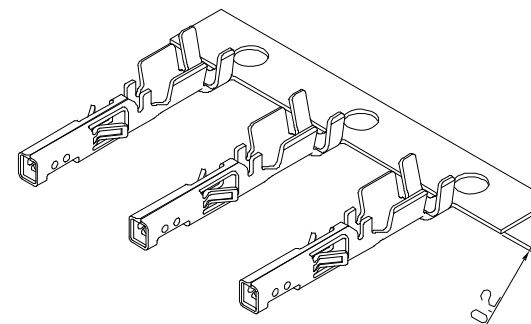
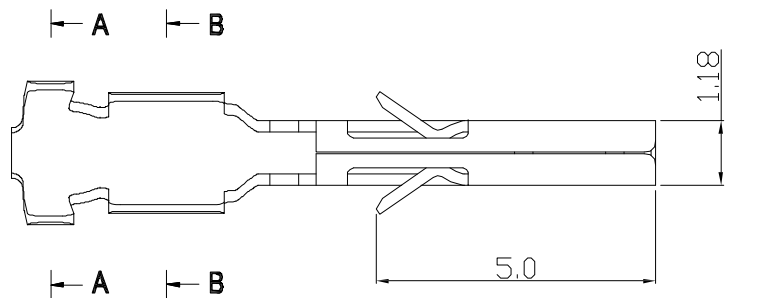


环保物料

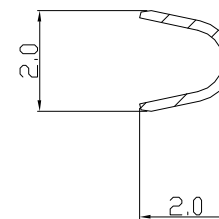
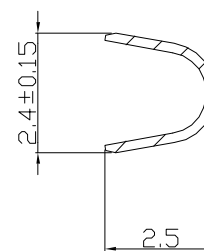
主要技术参数 Main Specifications

接触电阻 (Contact resistance):  $\leq 20m\Omega$   
 绝缘电阻 (Insulation resistance):  $\geq 1000M\Omega$   
 额定电压 (Rated voltage): 250V AC DC  
 额定电流 (Rated current): 5.0A AC DC  
 耐电压 (Withstand Voltage): 1000V AC/minute  
 温度范围 (Temperature Range):  $-25^{\circ}C \sim +85^{\circ}C$



A-A

B-B



Wire Range	Insulation O. D.	Material	Finish	Qty/Reel
AWG #20~#30		Phosphor bronze	Tin-plated	

				GENERAL TOLERANCES		SCALE: 1:1	NAME	DATE
				LINEAR	ANGLES	APPROVED	黎腾	2017.06.16
A0	新图面发行	2017.06.16	UNIT: MM	0.00±0.25	X° ±3°	DESIGNER	肖坤权	2017.06.16
REV.	REVISION RECORD	DATE	SIZE: A4	0.000±0.15	X° X'±2°	DRAWN	旷淇	2017.06.16



PART. NO:	23001T1	
DWG. NO:		
REV:	A0	SHEET: 1/1