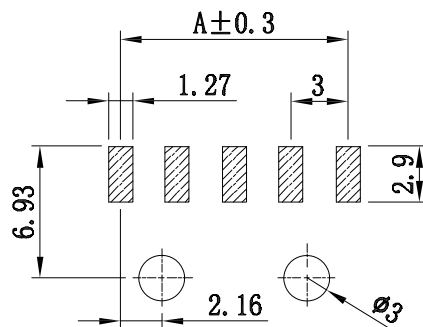
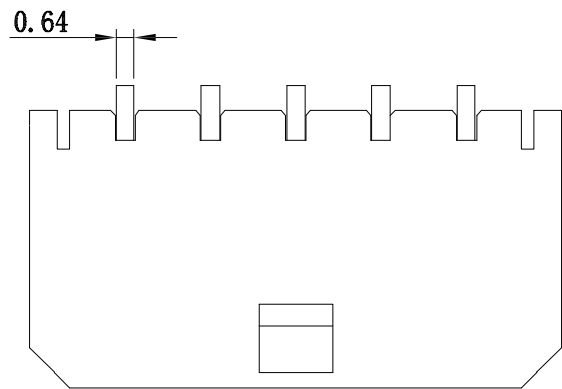


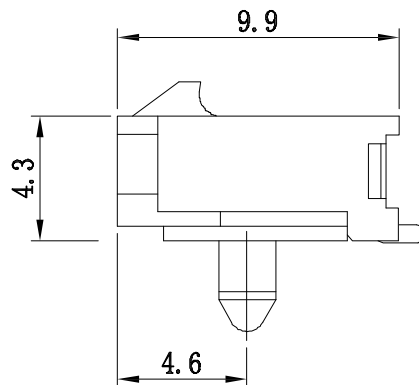
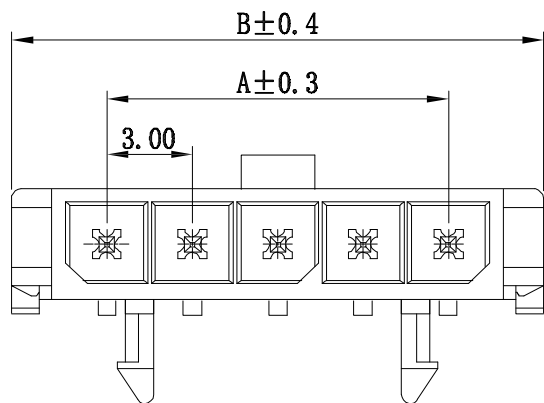
环保物料



P. C. B LAYOUT

Specifications:

Contact resistance: $\leq 20m\Omega$
 Insulation resistance: $\geq 1000M\Omega$
 Rated voltage: 250V AC DC
 Rated current: 5.0A AC DC
 Withstand Voltage: 1000V AC/minute
 Temperature Range: $-25^{\circ}C \sim +85^{\circ}C$



Poles	Dimensions mm	
	A	B
2	3.00	9.7
3	6.00	12.7
4	9.00	15.7
5	12.00	18.7
6	15.00	21.7
7	18.00	24.7
8	21.00	27.7
9	24.00	30.7
10	27.00	33.7
11	30.00	36.7
12	33.00	39.7

序号	图号	名称	材料	数量	附注
2		Contact	Brass Tin	N	
1		Housing	LCP (UL94V-0)	1	Black

GENERAL TOLERANCES		SCALE:	NAME	DATE	康导新能源 www.dgonns.com 电话: 0769-85337633 邮箱: 2850176986@qq.com 传真: 0769-85392827	PART. NO: 23001AWL			
LINEAR	ANGLES	1:1	APPROVED	黎腾			2017.06.16		
0.00±0.35	X° REF±6°		DESIGNER	肖坤权			2017.06.16		
0.00±0.25	X° ±3°		DRAWN	旷淇			2017.06.16		
REV.	REVISION RECORD	DATE	UNIT: MM	SIZE: A4	0.000±0.15	X° X'±2°	TITLE: 3.00mmPITCH 90° WAFER DIP TYPE	REV: A0	SHEET: 1/1