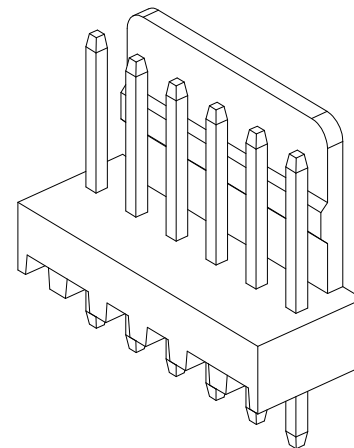
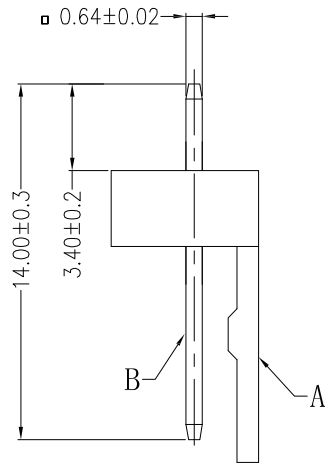
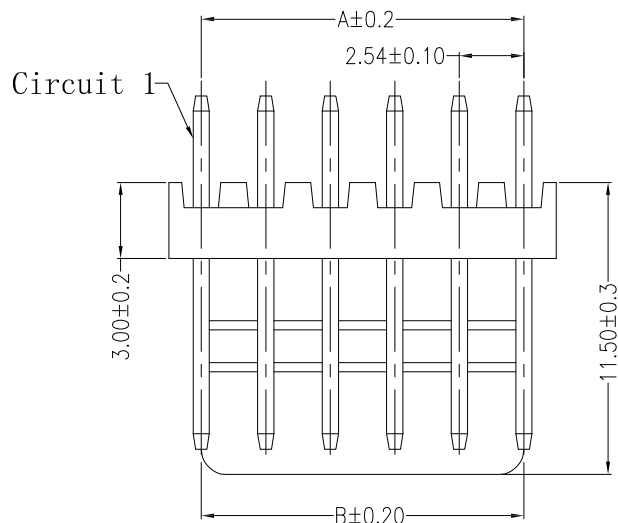


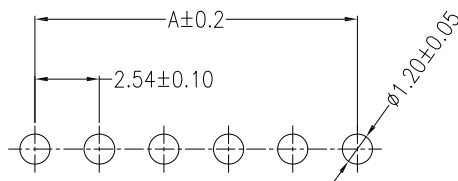
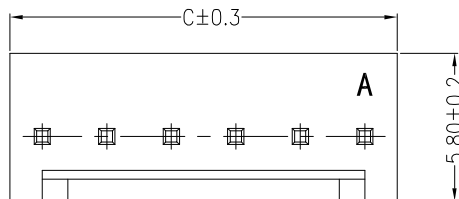
环保物料

主要技术参数 Main Specifications

线数 (Poles): 02 to 20
 接触电阻 (Contact resistance): $\leq 20m\Omega$
 绝缘电阻 (Insulation resistance): $\geq 1000M\Omega$
 额定电压 (Rated voltage): 250V AC DC
 额定电流 (Rated current): 2.5A AC DC
 耐电压 (Withstand Voltage): 1500V AC/minute
 温度范围 (Temperature Range): $-25^{\circ}C \sim +85^{\circ}C$



Circuits	Dimensions (mm)		
	A	B	C
02	2.54	2.54	5.08
03	5.08	5.08	7.62
04	7.62	7.62	10.16
05	10.16	10.16	12.70
06	12.70	12.70	15.24
07	15.24	15.24	17.78
08	17.78	17.78	20.32
09	30.32	30.32	22.86
10	22.86	22.86	25.40
11	25.40	25.40	27.94
12	27.94	27.94	30.48
13	30.84	30.84	33.02
14	33.02	33.02	35.56
15	35.56	35.56	38.10
16	38.10	38.10	40.64
17	40.64	40.64	43.18
18	43.18	43.18	45.72
19	45.72	45.72	48.26
20	48.26	48.26	50.80



SUGGESTED PCB LAYOUT
(COMPONENT SIDE)

ITEM	COMPONENT	Q'TY	MATERIAL	FINISH
B	CONTACT	2~20 PCS	Brass	Tin-plated
A	PEDESTAL	1 PCS	PA66	COLOR:WHITE

REV.	REVISION RECORD	DATE	UNIT: MM	GENERAL TOLERANCES		SCALE: 1:1	NAME	DATE
				LINEAR	ANGLES			
A0	新图面发行	2017.06.16	MM	0.00±0.25	X° ±3°	APPROVED	黎腾	2017.06.16
				0.00±0.15	X° X'±2°	DESIGNER	肖坤权	2017.06.16
						DRAWN	旷淇	2017.06.16

康导新能源
 网址: www.dgonns.com 电话: 0769-85337633
 邮箱: 2850176886@qq.com 传真: 0769-85392827

PART. NO:	22543A	
DWG. NO:		
REV:	A0	SHEET: 1/1