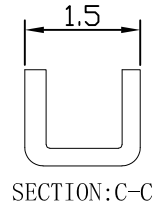
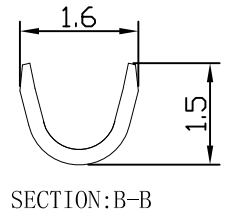
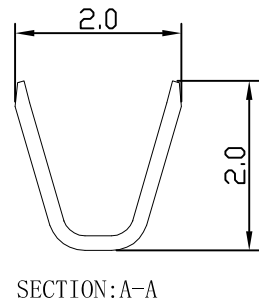
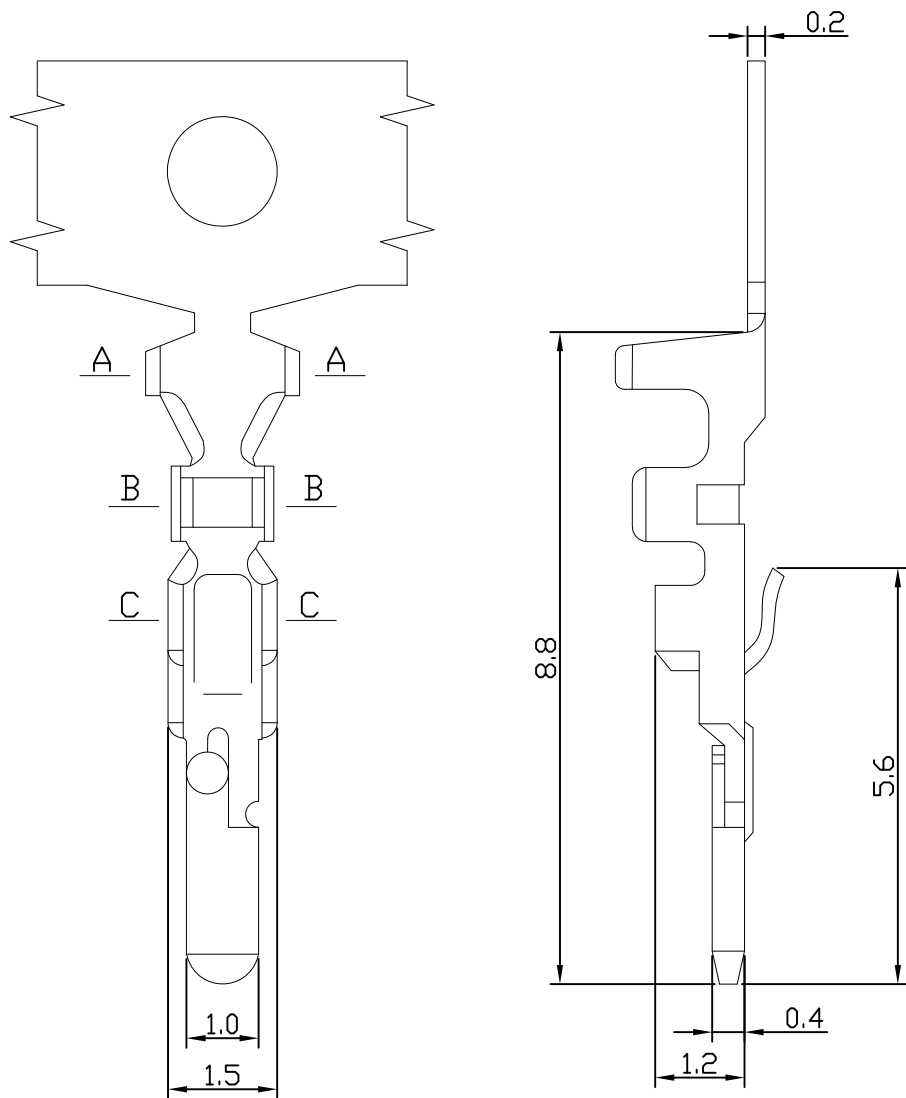


环保物料

主要技术参数 Main Specifications

接触电阻 (Contact resistance):  $\leq 20m\Omega$   
 绝缘电阻 (Insulation resistance):  $\geq 1000M\Omega$   
 额定电压 (Rated voltage): 125V AC DC  
 额定电流 (Rated current): 2.0A AC DC  
 耐电压 (Withstand Voltage): 500V AC/minute  
 温度范围 (Temperature Range):  $-25^{\circ}C \sim +85^{\circ}C$   
 适用线规 (Applicable wire): AWG #28 to #24



Wire Range	Insulation O.D.	Material	Finish	Qty/Reel
AWG #24~#28	1.60mm (max)	Phosphor bronze	Tin-plated	

GENERAL TOLERANCES		SCALE:	NAME	DATE	康导新能源 网址: www.dgonns.com 电话: 0769-85337633 邮箱: 2850176986@qq.com 传真: 0769-85392827	PART. NO: 22007RT			
LINEAR	ANGLES	1:1	APPROVED	黎腾			2017.06.16		
0.0±0.35	X° REF±6°		DESIGNER	肖坤权			2017.06.16		
0.00±0.25	X° ±3°		DRAWN	旷淇			2017.06.16		
REV.	REVISION RECORD	DATE	UNIT: MM	SIZE: A4	0.000±0.15	X° X'±2°	TITLE: 2.00mmPITCH TERMINAL	REV: A0	SHEET: 1/1