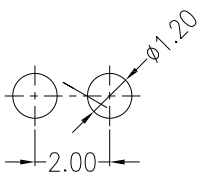
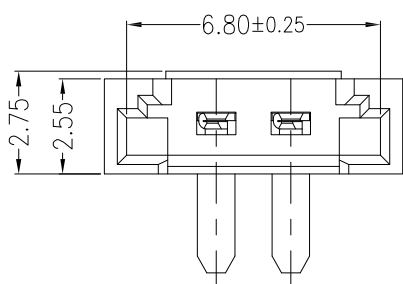
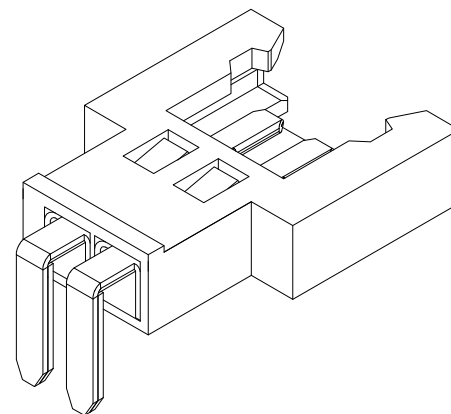
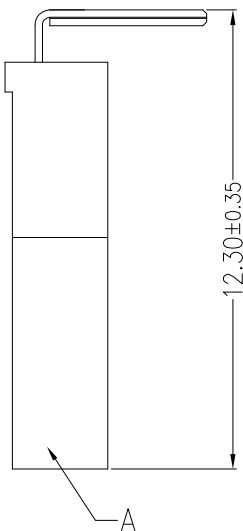
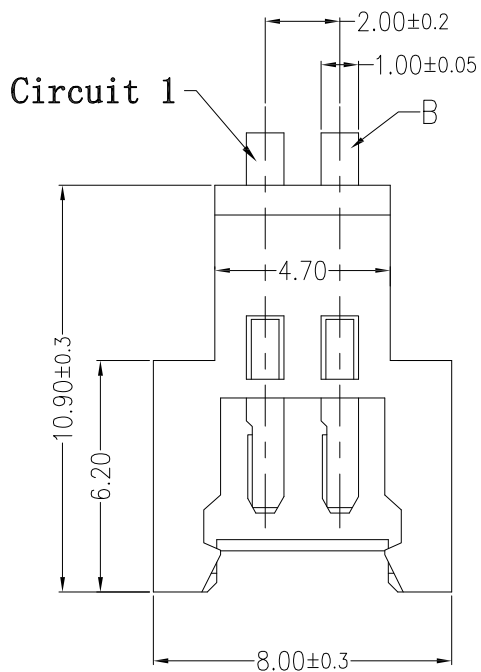


环保物料

主要技术参数 Main Specifications

线 数 (Poles): 02 to 16
 接触电阻 (Contact resistance): $\leq 20m\Omega$
 绝缘电阻 (Insulation resistance): $\geq 1000M\Omega$
 额定电压 (Rated voltage): 125V AC DC
 额定电流 (Rated current): 2.0A AC DC
 耐 电 压 (Withstand Voltage): 500V AC/minute
 温度范围 (Temperature Range): $-40^{\circ}\text{C} \sim +120^{\circ}\text{C}$



SUGGESTED PCB LAYOUT

B	CONTACT	2 PCS	PhosphorBronze	Sn-plated
A	PEDESTAL	1 PCS	PA66	COLOR:WHITE
ITEM	COMPONENT	Q'TY	MATERIAL	FINISH

		GENERAL TOLERANCES		SCALE: 1:1	NAME	DATE	康导新能源 网址: www.dgonne.com 电话: 0769-85337633 邮箱: 2850176988@qq.com 传真: 0769-85392827	PART. NO: 22007AW	
		LINEAR	ANGLES	APPROVED	黎腾	2017.06.16		DWG. NO:	
		0.0±0.35	X° REF±6°	DESIGNER	肖坤权	2017.06.16		REV: A0 SHEET: 1/1	
A0	新图面发行	2017.06.16	UNIT: MM	0.00±0.25	X° ±3°	DRAWN		旷淇	2017.06.16
REV.	REVISION RECORD	DATE	SIZE: A4	0.000±0.15	X° X'±2°				