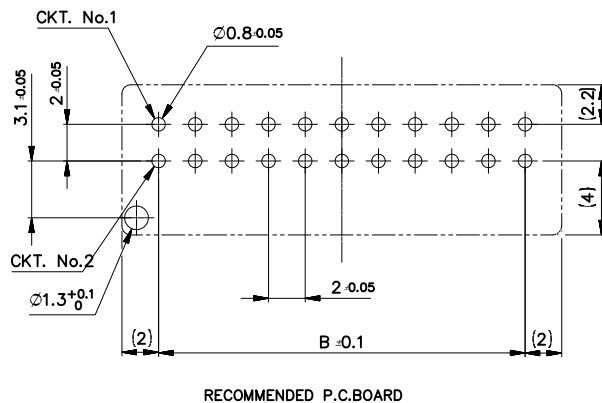
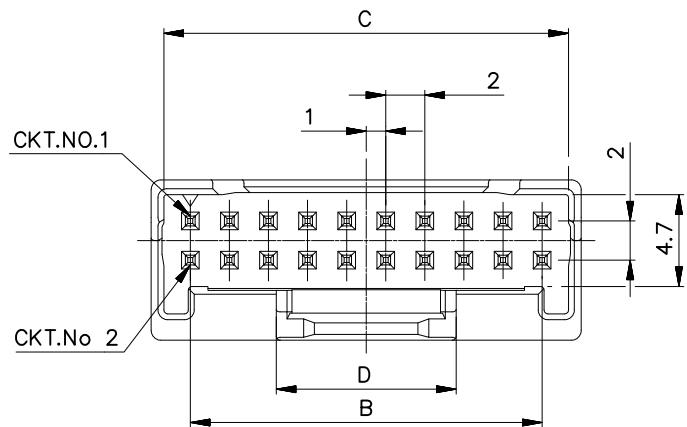


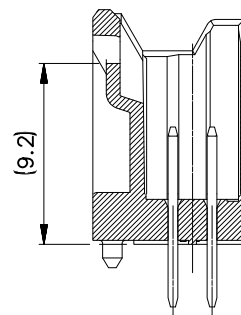
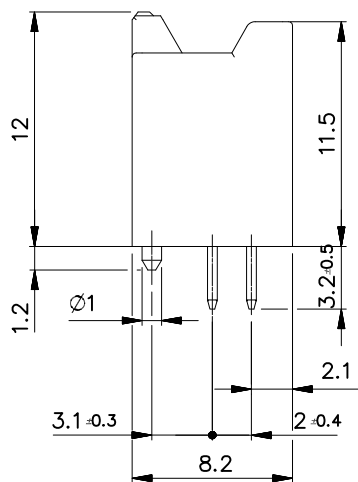
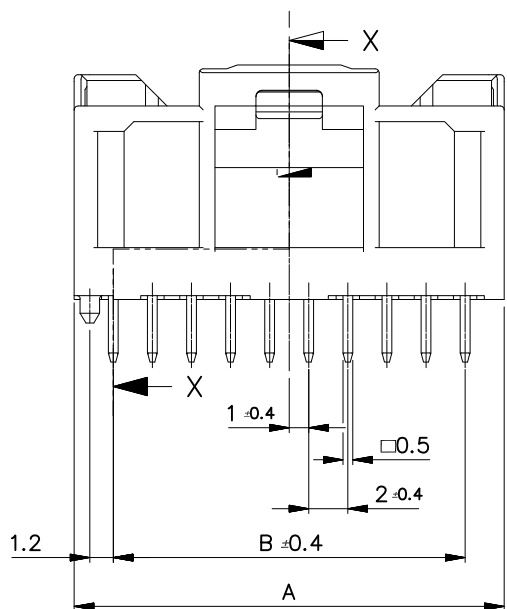
环保物料

Specifications:

Contact resistance:  $\leq 20m\Omega$   
 Insulation resistance:  $\geq 1000M\Omega$   
 Rated voltage: 125V AC DC  
 Rated current: 3.0A AC DC  
 Withstand Voltage: 500V AC/minute  
 Temperature Range:  $-40^{\circ}C \sim +105^{\circ}C$   
 Housing: POLYAMIDE(PA) BLACK, UL94V-0  
 Contacts: Brass / GOLD-plated



RECOMMENDED P.C.BOARD



SECTION X-X

9.2	40.7	38	42	40
9.2	38.7	36	40	38
9.2	36.7	34	38	36
9.2	34.7	32	36	34
9.2	32.7	30	34	32
9.2	30.7	28	32	30
9.2	28.7	26	30	28
9.2	26.7	24	28	26
9.2	24.7	22	26	24
9.2	22.7	20	24	22
9.2	20.7	18	22	20
9.2	18.7	16	20	18
9.2	16.7	14	18	16
9.2	14.7	12	16	14
9.2	12.7	10	14	12
7.3	10.7	8	12	10
D	C	B	A	CKT.

				GENERAL TOLERANCES		SCALE: 1:1	NAME	DATE	 <p>康导新能源                  网址: www.dgonne.com 电话: 0769-85337633                  邮箱: 2850175988@qq.com 传真: 0769-85392827</p>	PART. NO:	22005A	
				LINEAR	ANGLES	APPROVED	黎腾	2017.06.16		DWG. NO:		
A0		新图面发行		0.00±0.25	X° ±3°	DESIGNER	肖坤权	2017.06.16		TITLE:	2.00mmPITCH 180° WAFER DIP TYPE	
REV.	REVISION RECORD		DATE	SIZE: A4	X° X'±2°	DRAWN	旷淇	2017.06.16		REV:	A0	SHEET: