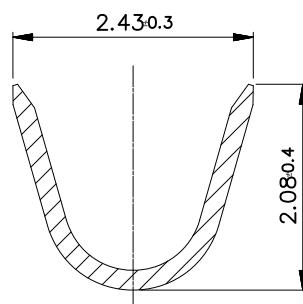
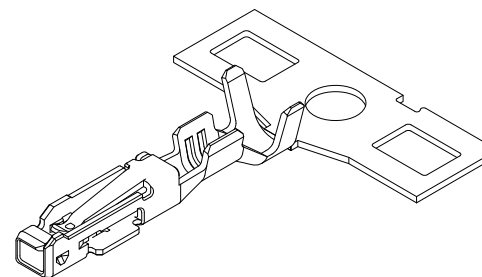
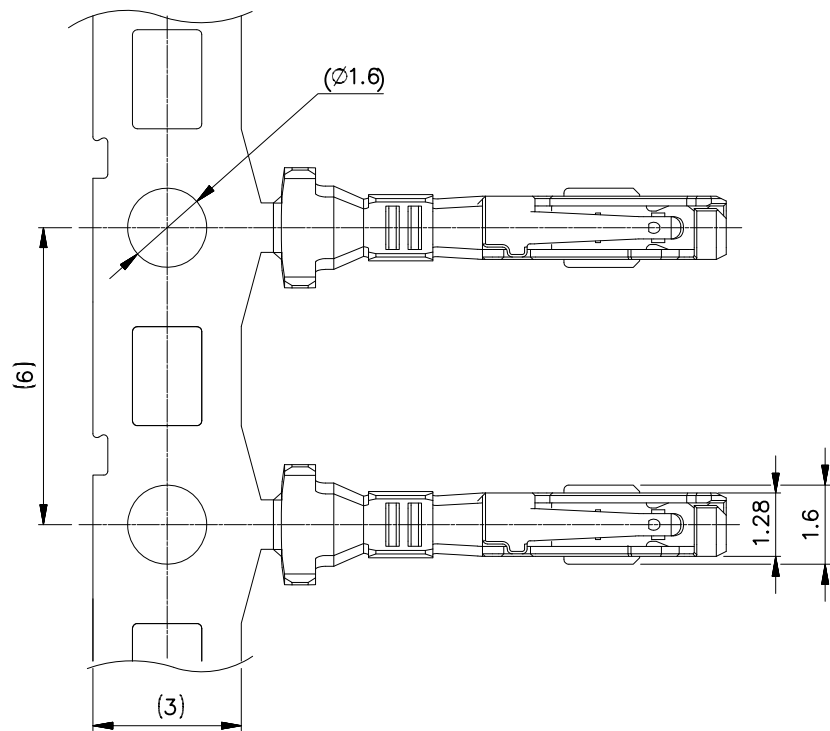
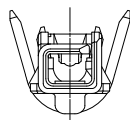
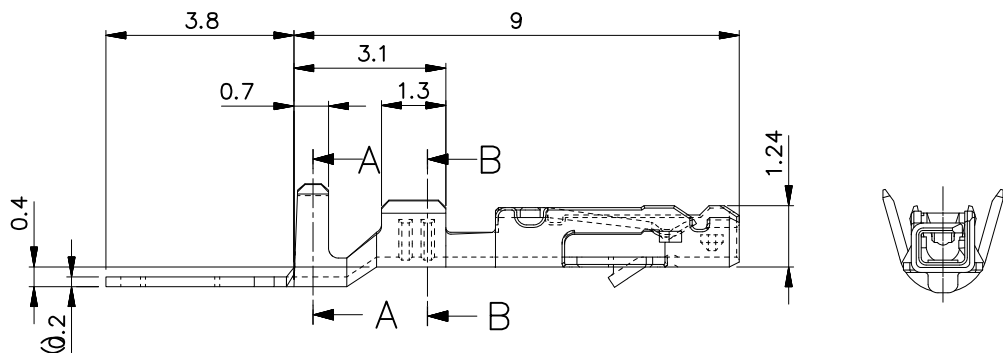


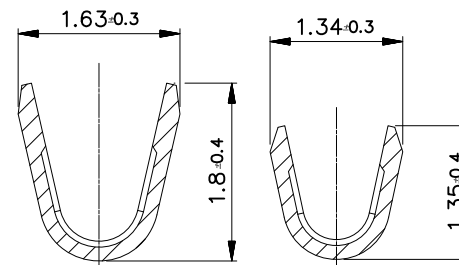
环保物料

主要技术参数 Main Specifications

接触电阻 (Contact resistance): $\leq 20m\Omega$
 绝缘电阻 (Insulation resistance): $\geq 1000M\Omega$
 额定电压 (Rated voltage): 150V AC DC
 额定电流 (Rated current): 3.0A AC DC
 耐电压 (Withstand Voltage): 500V AC/minute
 温度范围 (Temperature Range): $-25^{\circ}C \sim +85^{\circ}C$



SECTION A-A



SECTION B-B

AWG #22-24

AWG #26-28

Wire Range	Insulation O.D.	Material	Finish	Qty/Reel
AWG #22~#24 AWG #26~#28	0.85~1.50mm	Copper Alloy	Gold-plated	

GENERAL TOLERANCES		SCALE:	NAME	DATE	康导新能源 康导: www.dgonns.com 电话: 0769-85337633 邮箱: 2850176988@qq.com 传真: 0769-85392827	PART. NO: 22005T2				
LINEAR	ANGLES	1:1	黎腾	2017.06.16						
0.0±0.35	X° REF±6°	APPROVED	肖坤权 <td>2017.06.16</td>	2017.06.16						
0.00±0.25	X° ±3°	DESIGNER	旷淇 <td>2017.06.16</td>	2017.06.16						
REV.	REVISION RECORD	DATE	UNIT: MM	SIZE: A4	0.000±0.15	X° X'±2°	DRAWN	TITLE: 2.00mmPITCH TERMINAL	REV: A0	SHEET: 1/1