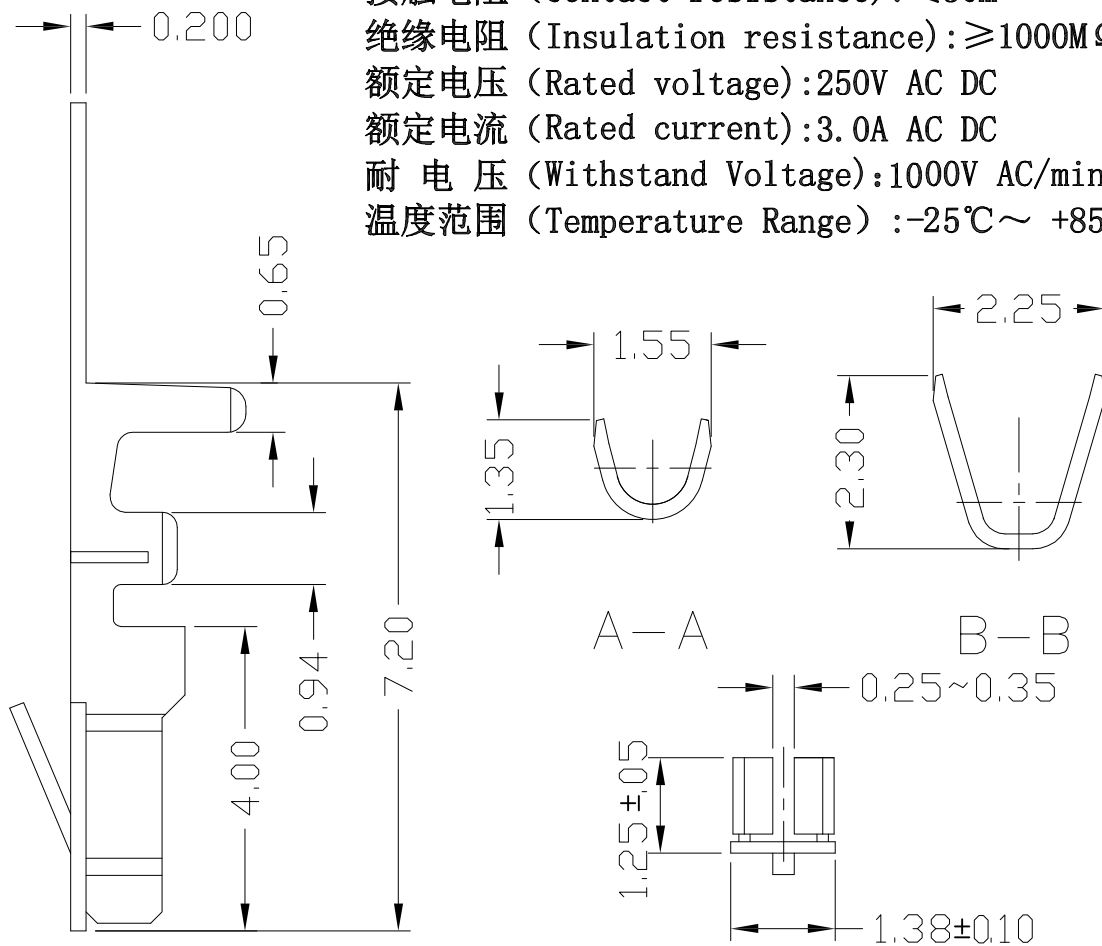
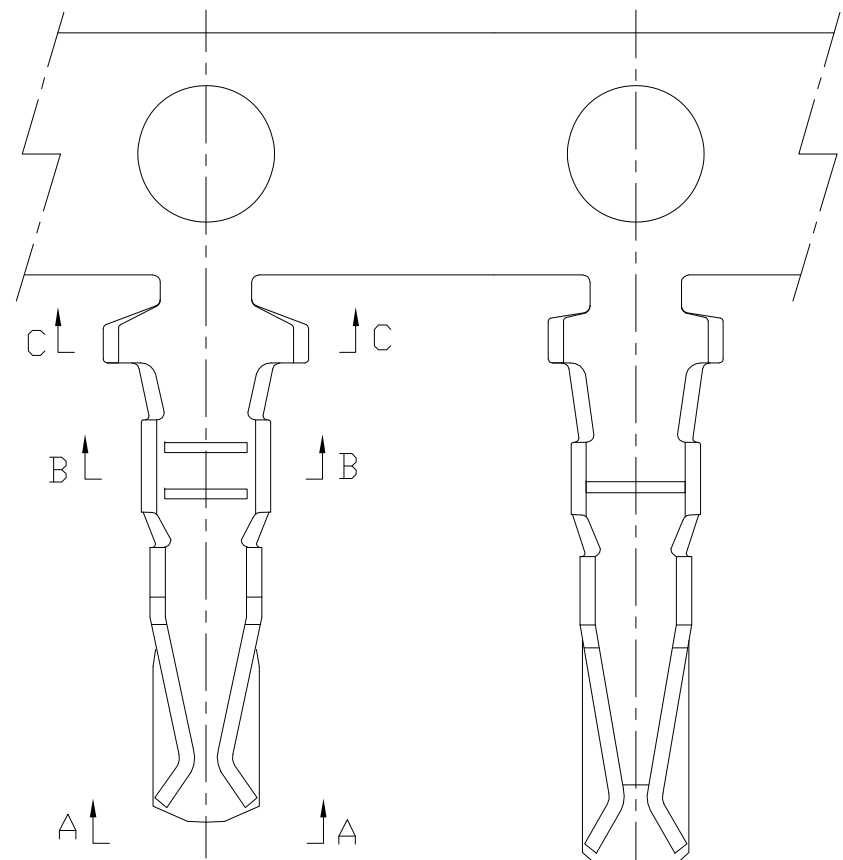


环保物料

主要技术参数 Main Specifications

接触电阻 (Contact resistance): $\leq 30m\Omega$
 绝缘电阻 (Insulation resistance): $\geq 1000M\Omega$
 额定电压 (Rated voltage): 250V AC DC
 额定电流 (Rated current): 3.0A AC DC
 耐电压 (Withstand Voltage): 1000V AC/minute
 温度范围 (Temperature Range): $-25^{\circ}C \sim +85^{\circ}C$



| Wire Range | Insulation O. D. | Material | Finish | Qty/Reel |
|-------------|------------------|-----------------|------------|----------|
| AWG #22~#28 | 1.60mm(max) | Phosphor bronze | Tin-plated | |

| GENERAL TOLERANCES | | SCALE: | NAME | DATE |
|--------------------|-------------|----------|------|------------|
| LINER | ANGLES | 1:1 | 黎腾 | 2017.06.16 |
| 0.0 ± 0.35 | X° REF ± 6° | APPROVED | 肖坤权 | 2017.06.16 |
| 0.00 ± 0.25 | X° ± 3° | DESIGNER | 旷淇 | 2017.06.16 |
| 0.000 ± 0.15 | X° X' ± 2° | DRAWN | | |



| | | |
|-----------|--------|------------|
| PART. NO: | 22004T | |
| DWG. NO: | | |
| REV: | A0 | SHEET: 1/1 |