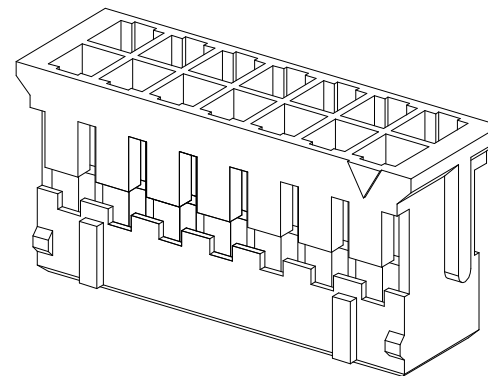
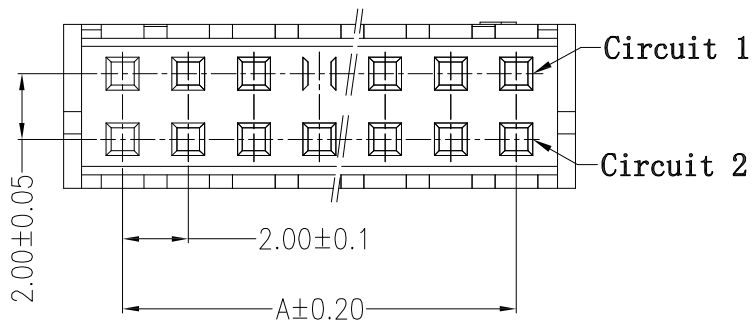
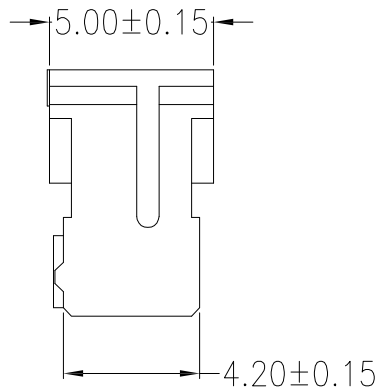
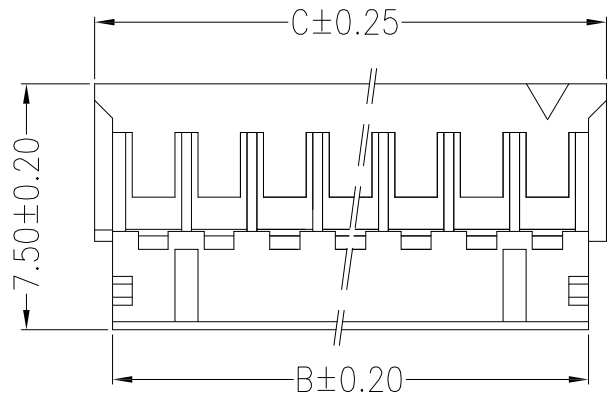


环保物料

主要技术参数 Main Specifications

线 数 (Poles): 04 to 40  
 接触电阻 (Contact resistance):  $\leq 20m\Omega$   
 绝缘电阻 (Insulation resistance):  $\geq 1000M\Omega$   
 额定电压 (Rated voltage): 250V AC DC  
 额定电流 (Rated current): 2.0A AC DC  
 耐 电 压 (Withstand Voltage): 1000V AC/minute  
 温度范围 (Temperature Range) :  $-25^{\circ}C \sim +85^{\circ}C$



Circuits	Dimensions (mm)		
	A	B	C
2*2	2.00	4.50	5.90
2*3	4.00	6.50	7.90
2*4	6.00	8.50	9.90
2*5	8.00	10.50	11.90
2*6	10.00	12.50	13.90
2*7	12.00	14.50	15.90
2*8	14.00	16.50	17.90
2*9	16.00	18.50	19.90
2*10	18.00	20.50	21.90
2*11	20.00	22.50	23.90
2*12	22.00	24.50	25.90
2*13	24.00	26.50	27.90
2*14	26.00	28.50	29.90
2*15	28.00	30.50	31.90
2*16	30.00	32.50	33.90
2*17	32.00	34.50	35.90
2*18	34.00	36.50	37.90
2*19	36.00	38.50	39.90
2*20	38.00	40.50	41.90

A	HOUSING	1 PCS	PA66	WHITE/BLACK 94-V0
ITFM	COMPONENT	Q'TY	MATERIAL	FINISH

GENERAL TOLERANCES		SCALE: 1:1	NAME	DATE	
LINEAR	ANGLES	APPROVED	黎腾	2017.06.16	
0.00±0.35	X° REF±6°	DESIGNER	肖坤权	2017.06.16	
0.00±0.25	X° ±3°	DRAWN	旷淇	2017.06.16	
REV.	REVISION RECORD	DATE	SIZE: A4	0.000±0.15	X° X'±2°



PART. NO:	22003Y	
DWG. NO:		
REV:	A0	SHEET: 1/1