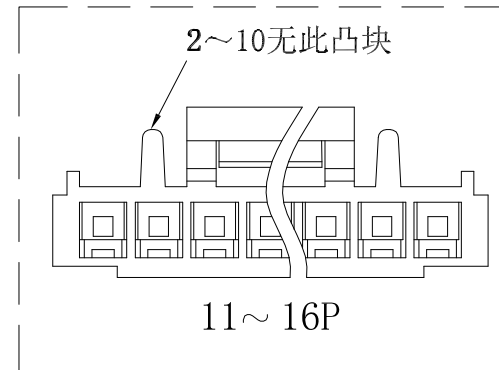
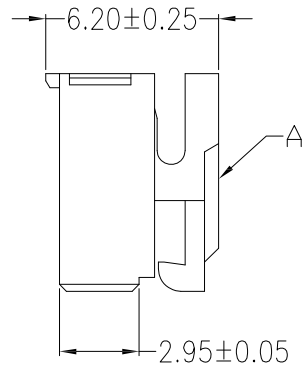
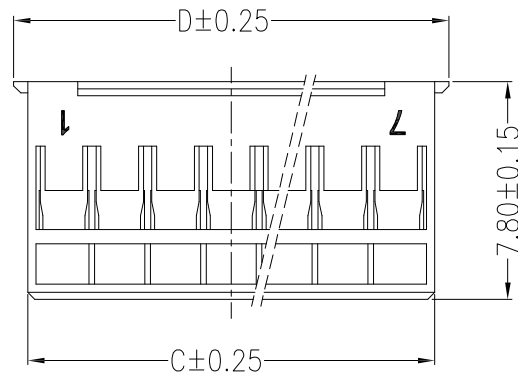
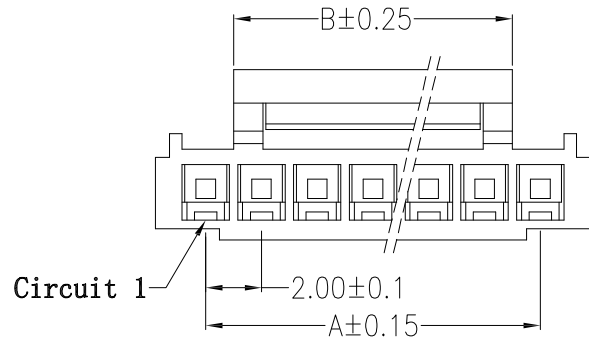
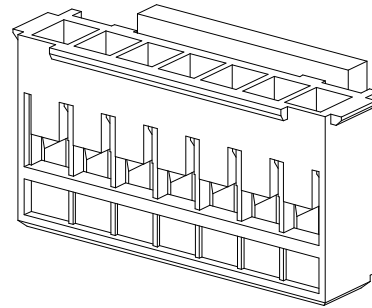


环保物料

主要技术参数 Main Specifications

线数 (Poles): 02 to 16
 接触电阻 (Contact resistance): $\leq 20m\Omega$
 绝缘电阻 (Insulation resistance): $\geq 1000M\Omega$
 额定电压 (Rated voltage): 250V AC DC
 额定电流 (Rated current): 2.0A AC DC
 耐电压 (Withstand Voltage): 1000V AC/minute
 温度范围 (Temperature Range): $-25^{\circ}C \sim +85^{\circ}C$



Circuits	Dimensions (mm)			
	A	B	C	D
02	2.00	3.20	4.60	5.60
03	4.00	4.00	6.60	7.60
04	6.00	5.00	8.60	9.60
05	8.00	6.20	10.60	11.60
06	10.00	8.20	12.60	13.60
07	12.00	10.20	14.60	15.60
08	14.00	12.20	16.60	17.60
09	16.00	14.20	18.60	19.60
10	18.00	16.20	20.60	21.60
11	20.00	16.20	22.60	23.60
12	22.00	16.20	24.60	25.60
13	24.00	16.20	26.60	27.60
14	26.00	16.20	28.60	29.60
15	28.00	16.20	30.60	31.60
16	30.00	18.20	32.60	33.60

A	HOUSING	1 PCS	PA66	COLOR:BEIGE
ITEM	COMPONENT	Q'TY	MATERIAL	FINISH

GENERAL TOLERANCES		SCALE: 1:1	NAME	DATE
LINEAR	ANGLES	APPROVED	黎腾	2017.06.16
0.0±0.35	X° REF±6°	DESIGNER	肖坤权	2017.06.16
A0	新图面发行	2017.06.16	UNIT: MM	0.00±0.25
REV.	REVISION RECORD	DATE	SIZE: A4	0.000±0.15
				X° X'±2°
				DRAWN
				旷淇
				2017.06.16



PART. NO:	22002Y
DWG. NO:	
REV:	A0
SHEET:	1/1