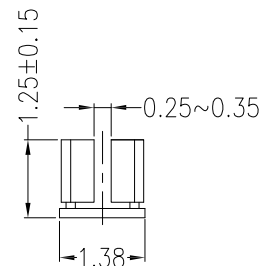
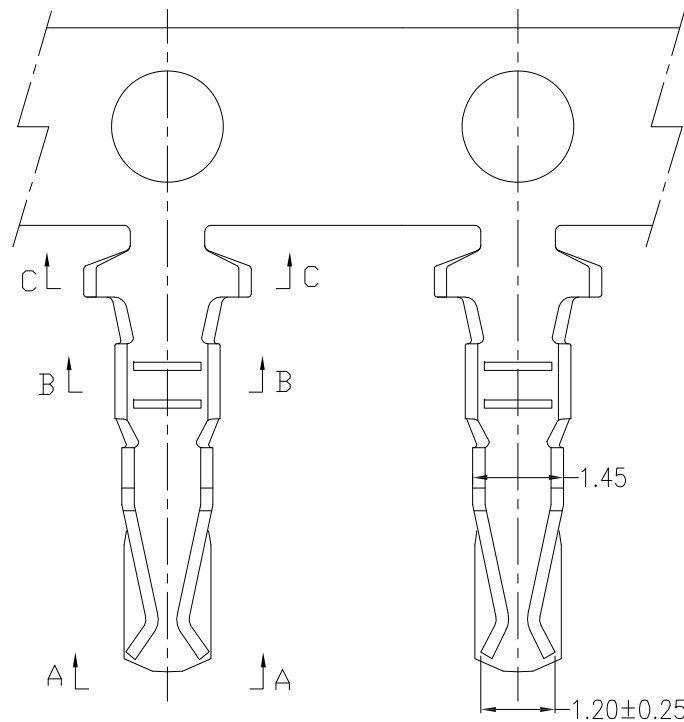
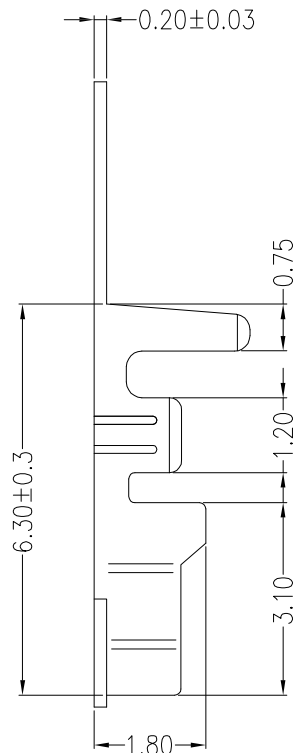


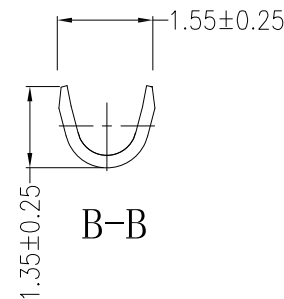
环保物料

主要技术参数 Main Specifications

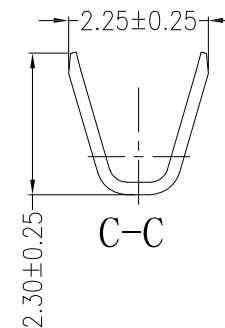
接触电阻 (Contact resistance): $\leq 20m\Omega$
 绝缘电阻 (Insulation resistance): $\geq 1000M\Omega$
 额定电压 (Rated voltage): 150V AC DC
 额定电流 (Rated current): 3.0A AC DC
 耐电压 (Withstand Voltage): 500V AC/minute
 温度范围 (Temperature Range): $-25^{\circ}C \sim +85^{\circ}C$



A-A



B-B



C-C

Wire Range	Insulation O.D.	Material	Finish	Qty/Reel
AWG #22~#30	1.60mm(max)	Phosphor bronze	Tin-plated	

REV.	REVISION RECORD	DATE	UNIT: MM	GENERAL TOLERANCES		SCALE: 1:1	NAME	DATE
				LINEAR	ANGLES			
				0.0±0.35	X° REF±6°	APPROVED	黎腾	2017.06.16
A0	新图面发行	2017.06.16	UNIT: MM	0.00±0.25	X° ±3°	DESIGNER	肖坤权	2017.06.16
			SIZE: A4	0.000±0.15	X° X'±2°	DRAWN	旷淇	2017.06.16



PART. NO:		22002T	
DWG. NO:			
REV:	A0	SHEET:	1/1

TITLE: 2.00mm PITCH TERMINAL