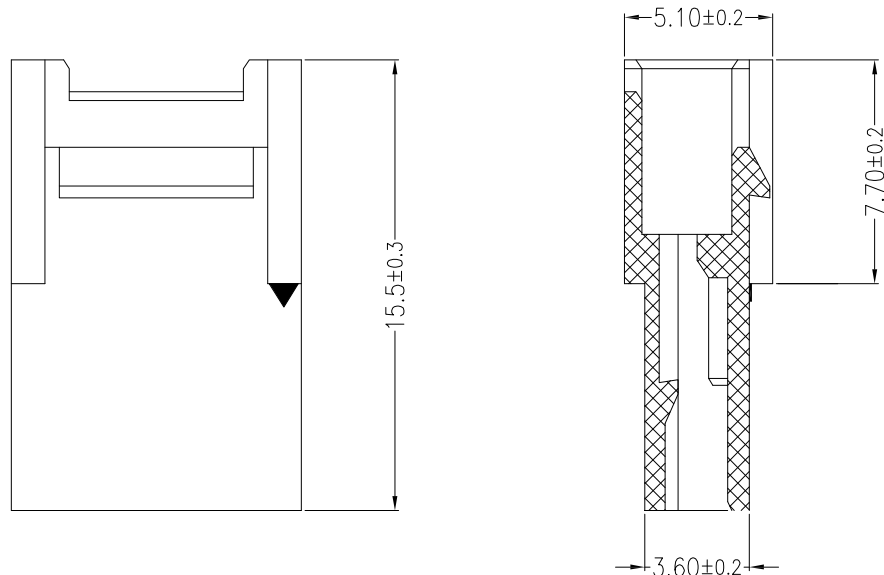
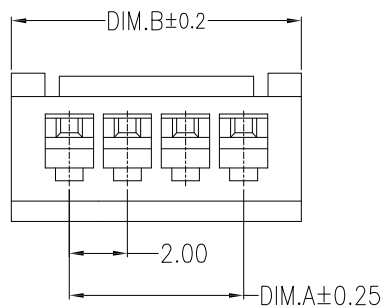


环保物料

主要技术参数 Main Specifications

线 数 (Poles): 02 to 16  
 接触电阻 (Contact resistance):  $\leq 20m\Omega$   
 绝缘电阻 (Insulation resistance):  $\geq 1000M\Omega$   
 额定电压 (Rated voltage): 250V AC DC  
 额定电流 (Rated current): 2.0A AC DC  
 耐电压 (Withstand Voltage): 1000V AC/minute  
 温度范围 (Temperature Range):  $-25^{\circ}C \sim +85^{\circ}C$



Circuits	Dimensions (mm)	
	A	B
02	2.00	6.00
03	4.00	8.00
04	6.00	10.0
05	8.00	12.0
06	10.00	14.0
07	12.00	16.0
08	14.00	18.0
09	16.00	20.0
10	18.00	22.0
11	20.00	24.0
12	22.00	26.0
13	24.00	28.0
14	26.00	30.0
15	28.00	32.0
16	30.00	34.0

A	HOUSING	1 PCS	PA66	COLOR:WHITE
ITEM	COMPONENT	Q'TY	MATERIAL	FINISH

GENERAL TOLERANCES		SCALE: 1:1	NAME	DATE
LINER	ANGLES	APPROVED	黎腾	2017.06.16
0.0±0.35	X° REF±6°	DESIGNER	肖坤权	2017.06.16
A0	0.00±0.25	X° ±3°	DRAWN	旷淇
REV.	REVISION RECORD	DATE	SIZE: A4	0.000±0.15
			X° X'±2°	



PART. NO:	22002R
DWG. NO:	
REV:	A0
SHEET:	1/1

TITLE: 2.00mmPITCH HOUSING