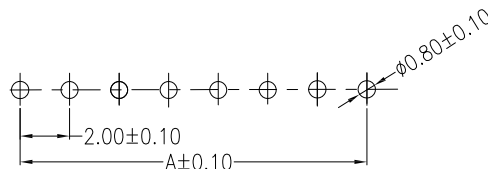
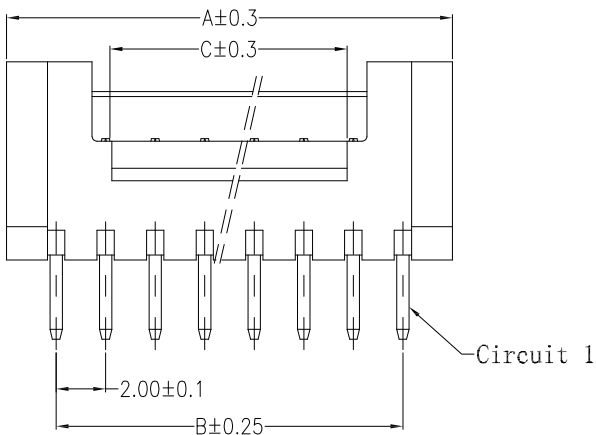
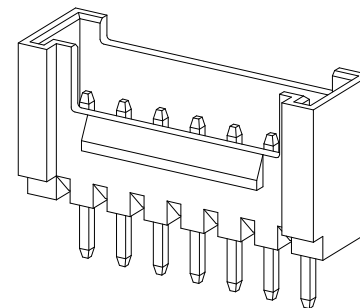
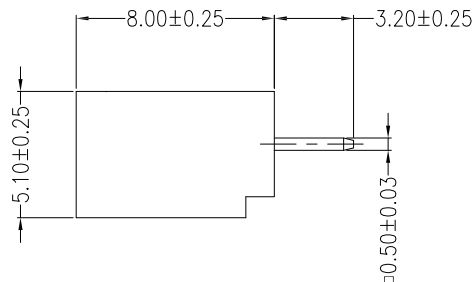
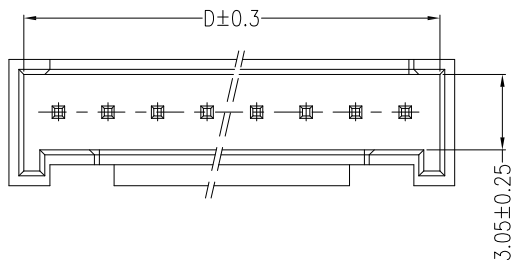


环保物料

主要技术参数 Main Specifications

线 数 (Poles): 02 to 16
 接触电阻 (Contact resistance): $\leq 20m\Omega$
 绝缘电阻 (Insulation resistance): $\geq 1000M\Omega$
 额定电压 (Rated voltage): 250V AC DC
 额定电流 (Rated current): 2.0A AC DC
 耐 电 压 (Withstand Voltage): 1000V AC/minute
 温度范围 (Temperature Range): $-25^{\circ}C \sim +85^{\circ}C$



SUGGESTED PCB LAYOUT

Circuits	Dimensions (mm)			
	A	B	C	D
02	6.00	2.00	2.70	4.90
03	8.00	4.00	3.00	6.90
04	10.00	6.00	4.00	8.90
05	12.00	8.00	6.00	10.90
06	14.00	10.00	8.00	12.90
07	16.00	12.00	10.0	14.90
08	18.00	14.00	12.0	16.90
09	20.00	16.00	14.0	18.90
10	22.00	18.00	16.0	20.90
11	24.00	20.00	18.0	22.90
12	26.00	22.00	20.0	24.90
13	28.00	24.00	22.0	26.90
14	30.00	26.00	24.0	28.90
15	32.00	28.00	26.0	30.90
16	34.00	30.00	28.0	32.90

ITEM	COMPONENT	Q'TY	MATERIAL	FINISH
B	CONTACT	2~16 PCS	Brass	Sn-plated
A	PEDESTAL	1 PCS	PA66	COLOR:BEIGE

REV.	REVISION RECORD	DATE	UNIT: MM	GENERAL TOLERANCES		SCALE: 1:1	NAME	DATE
				LINEAR	ANGLES			
A0	新图面发行	2017.06.16	MM	0.00±0.25	X° ±3°	APPROVED	黎腾	2017.06.16
				0.00±0.15	X° X'±2°	DESIGNER	肖坤权	2017.06.16
						DRAWN	旷淇	2017.06.16



PART. NO:	22002A	
DWG. NO:		
REV:	A0	SHEET: 1/1

TITLE: 2.00mmPITCH 180° WAFER DIP TYPE