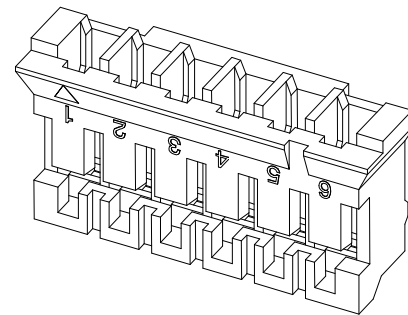
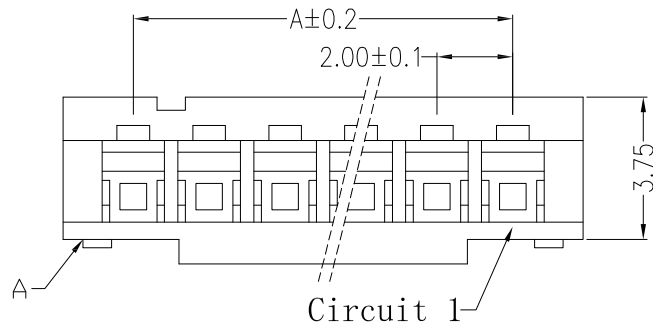
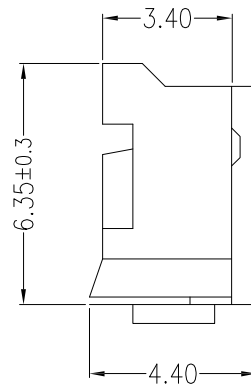
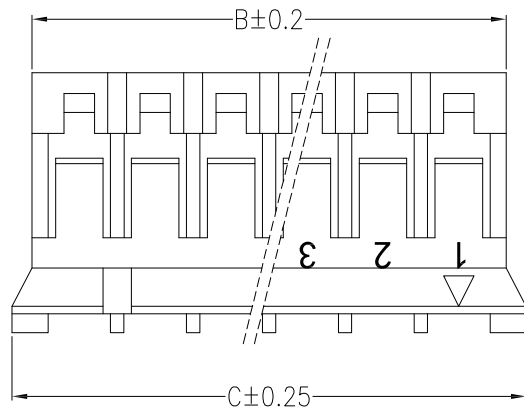


环保物料

主要技术参数 Main Specifications

线 数 (Poles): 02 to 16  
 接触电阻 (Contact resistance):  $\leq 20m\Omega$   
 绝缘电阻 (Insulation resistance):  $\geq 1000M\Omega$   
 额定电压 (Rated voltage): 250V AC DC  
 额定电流 (Rated current): 2.0A AC DC  
 耐 电 压 (Withstand Voltage): 800V AC/minute  
 温度范围 (Temperature Range):  $-25^{\circ}C \sim +85^{\circ}C$



Circuits	Dimensions (mm)		
	A	B	C
02	2.00	4.50	5.70
03	4.00	6.50	7.70
04	6.00	8.50	9.70
05	8.00	10.50	11.70
06	10.00	12.50	13.70
07	12.00	14.50	15.70
08	14.00	16.50	17.70
09	16.00	18.50	19.70
10	18.00	20.50	21.70
11	20.00	22.50	23.70
12	22.00	24.50	25.70
13	24.00	26.50	27.70
14	26.00	28.50	29.70
15	28.00	30.50	31.70
16	30.00	32.50	33.70

A	HOUSING	1 PCS	PA66	COLOR:WHITE
ITEM	COMPONENT	Q'TY	MATERIAL	FINISH

		GENERAL TOLERANCES		SCALE:	NAME	DATE	 <p>康 导 新 能 源</p> <p>网址: www.dgonne.com 电话: 0769-85337633              邮箱: 2850176988@qq.com 传真: 0769-85392827</p>	PART. NO:	
		LINEAR	ANGLES	1:1	黎腾	2017.06.16		22001Y	
		0.0±0.35	X° REF±6°	APPROVED	肖坤权	2017.06.16		DWG. NO:	
A0	新图面发行	2017.06.16	UNIT: MM	0.00±0.25	X° ±3°	DRAWN		旷淇	2017.06.16
REV.	REVISION RECORD	DATE	SIZE: A4	0.000±0.15	X° X'±2°	2.00mmPITCH HOUSING		REV: A0	SHEET: 1/1