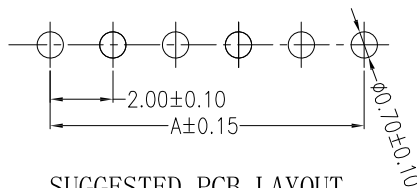
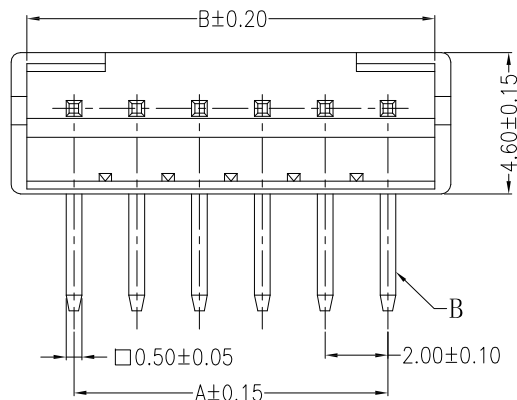
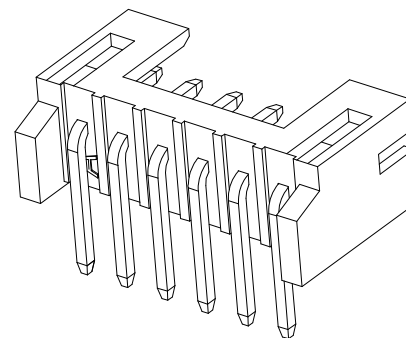
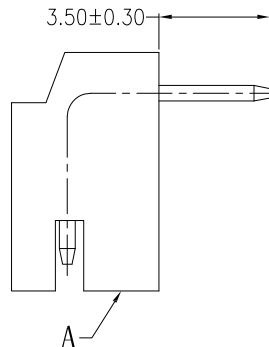
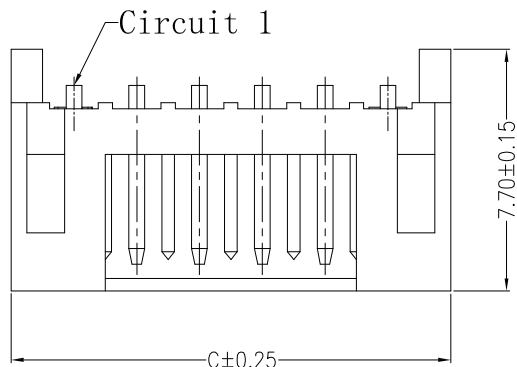


环保物料

主要技术参数 Main Specifications

线数 (Poles): 02 to 16
 接触电阻 (Contact resistance) : $\leq 20m\Omega$
 绝缘电阻 (Insulation resistance) : $\geq 1000M\Omega$
 额定电压 (Rated voltage) : 100V AC DC
 额定电流 (Rated current) : 2.0A AC DC
 耐电压 (Withstand Voltage) : 1000V AC/minute
 温度范围 (Temperature Range) : $-25^{\circ}C \sim +85^{\circ}C$



SUGGESTED PCB LAYOUT
(COMPONENT SIDE)

| Circuits | Dimensions (mm) | | |
|----------|-----------------|--------|--------|
| | DIM. A | DIM. B | DIM. C |
| 02 | 2.00 | 5.00 | 6.00 |
| 03 | 4.00 | 7.00 | 8.00 |
| 04 | 6.00 | 9.00 | 10.00 |
| 05 | 8.00 | 11.00 | 12.00 |
| 06 | 10.00 | 13.00 | 14.00 |
| 07 | 12.00 | 15.00 | 16.00 |
| 08 | 14.00 | 17.00 | 18.00 |
| 09 | 16.00 | 19.00 | 20.00 |
| 10 | 18.00 | 21.00 | 22.00 |
| 11 | 20.00 | 22.00 | 24.00 |
| 12 | 22.00 | 25.00 | 26.00 |
| 13 | 24.00 | 27.00 | 28.00 |
| 14 | 26.00 | 29.00 | 30.00 |
| 15 | 28.00 | 31.00 | 32.00 |
| 16 | 30.00 | 33.00 | 34.00 |

| ITEM | COMPONENT | Q'TY | MATERIAL | FINISH |
|------|-----------|----------|----------|--------------------|
| B | CONTACT | 2~16 PCS | Brass | Sn-plated |
| A | PEDESTAL | 1 PCS | PA66 | 94V-0, COLOR:Beige |

| REV. | REVISION RECORD | DATE | UNIT: MM | GENERAL TOLERANCES | | SCALE: 1:1 | NAME | DATE | 康导新能源 | PART. NO: 22001AWD |
|------|-----------------|------------|----------|--------------------|----------|------------|------|------------|---|-----------------------|
| | | | | LINEAR | ANGLES | | | | | |
| A0 | 新图面发行 | 2017.06.16 | MM | 0.00±0.25 | X° ±3° | APPROVED | 黎腾 | 2017.06.16 | 网址: www.dgonns.com 电话: 0769-85337633 邮箱: 2850176986@qq.com 传真: 0769-85392827 | DWG. NO: |
| REV. | REVISION RECORD | DATE | SIZE: A4 | 0.000±0.15 | X° X'±2° | DESIGNER | 肖坤权 | 2017.06.16 | TITLE: 2.00mmPITCH 90° WAFER DIP TYPE | REV: A0 SHEET: 1/1 |

