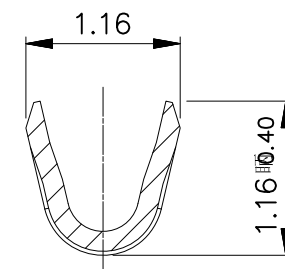
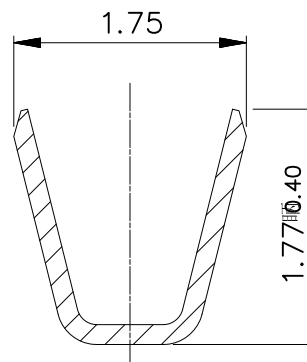
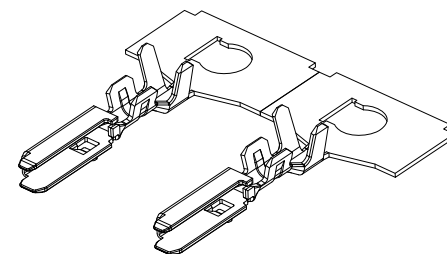
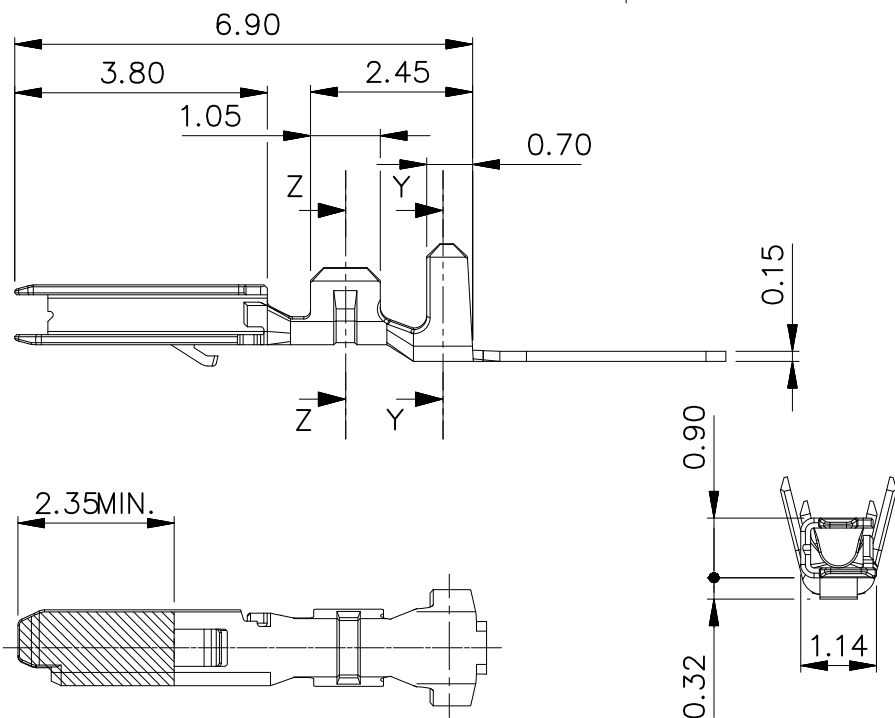
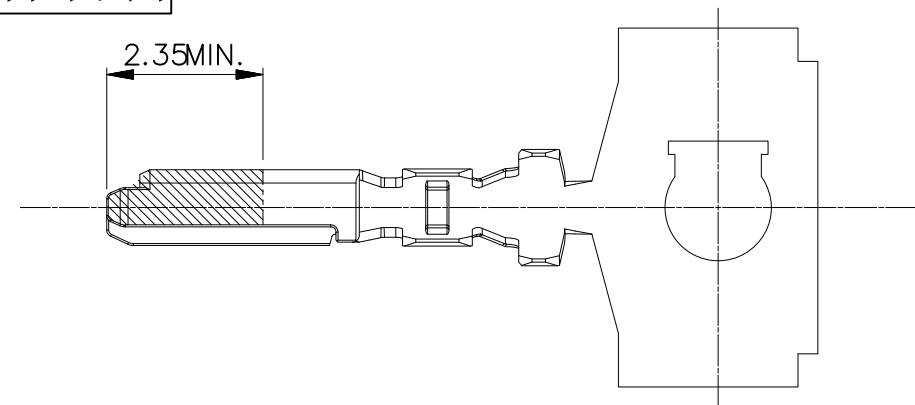


环保物料

主要技术参数 Main Specifications

接触电阻 (Contact resistance): $\leq 20m\Omega$
 绝缘电阻 (Insulation resistance): $\geq 1000M\Omega$
 额定电压 (Rated voltage): 150V AC DC
 额定电流 (Rated current): 3.0A AC DC
 耐电压 (Withstand Voltage): 500V AC/minute
 温度范围 (Temperature Range): $-25^{\circ}C \sim +85^{\circ}C$



SECTION Y-Y

SECTION Z-Z

Wire Range	Insulation O.D.	Material	Finish	Qty/Reel
AWG #26~#30	$\phi 0.7-1.02mm$	COPPER ALLOY	Tin-plated	

GENERAL TOLERANCES		SCALE: 1:1	NAME	DATE
LINEAR	ANGLES			
0.0 ± 0.35	$X^{\circ} \text{ REF} \pm 6^{\circ}$	APPROVED	黎腾	2017.06.16
0.00 ± 0.25	$X^{\circ} \pm 3^{\circ}$	DESIGNER	肖坤权	2017.06.16
0.000 ± 0.15	$X^{\circ} X' \pm 2^{\circ}$	DRAWN	旷淇	2017.06.16



PART. NO:	21506T2	
DWG. NO:		
REV:	A0	SHEET: 1/1

A
B
C
D
E
F
G
H

A
B
C
D
E
F
G
H

1 2 3 4 5 6 7 8