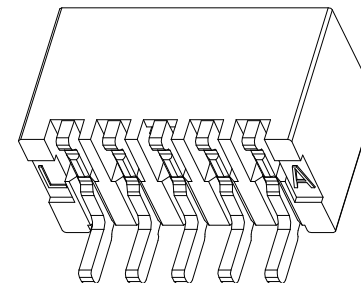
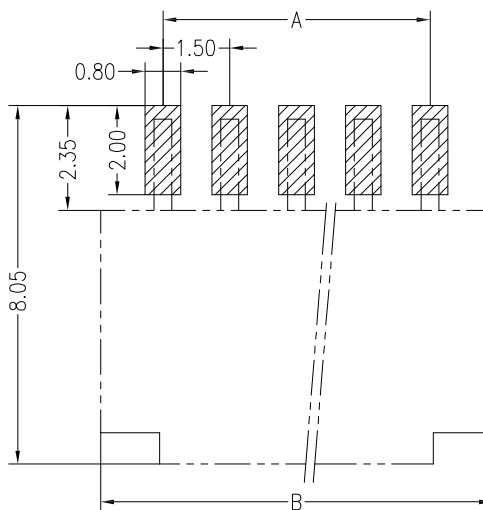
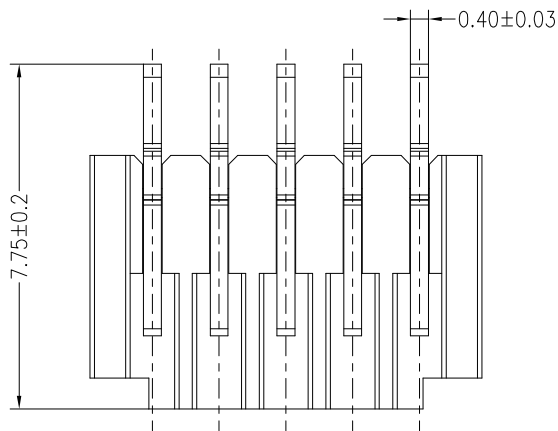
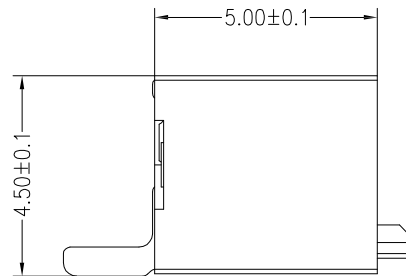
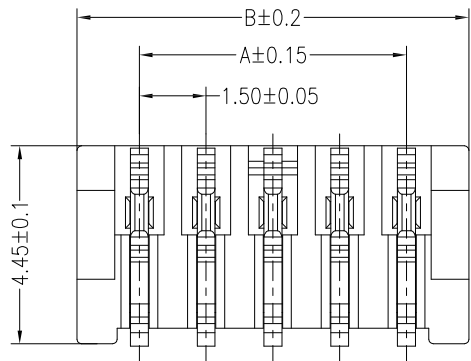


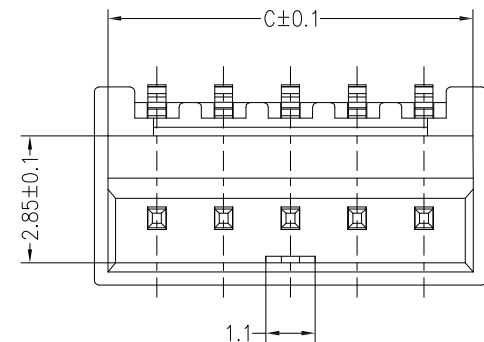
环保物料

主要技术参数 Main Specifications

线 数 (Poles): 02 to 15  
 接触电阻 (Contact resistance):  $\leq 20m\Omega$   
 绝缘电阻 (Insulation resistance):  $\geq 1000M\Omega$   
 额定电压 (Rated voltage): 350V AC DC  
 额定电流 (Rated current): 3.0A AC DC  
 耐 电 压 (Withstand Voltage): 500V AC/minute  
 温度范围 (Temperature Range):  $-25^{\circ}C \sim +85^{\circ}C$



PIN.	DIM A	DIM B	DIM C
2pin	1.50	4.30	3.70
3pin	3.00	5.80	5.20
4pin	4.50	7.30	6.70
5pin	6.00	8.80	8.20
6pin	7.50	10.30	9.70
7pin	9.00	11.80	11.20
8pin	10.50	13.30	12.70
9pin	12.00	14.80	14.20
10pin	13.50	16.30	15.70
11pin	15.00	17.80	17.20
12pin	16.50	19.30	18.70
13pin	18.00	20.80	20.20
14pin	19.50	22.30	21.70
15pin	21.00	23.80	23.20



PCB LAYOUT

ITEM	COMPONENT	Q'TY	MATERIAL	FINISH
B	CONTACT	2~15 PCS	PhosphorBronze	MATTE Sn-plated
A	PEDESTAL	1 PCS	LCP	UL 94V-0, COLOR:BEIGE

REV.	REVISION RECORD	DATE	UNIT: MM	GENERAL TOLERANCES		SCALE: 1:1	NAME	DATE
				LINEAR	ANGLES			
A0	新图面发行	2017.06.16	MM	0.00±0.25	X° ±3°	APPROVED	黎腾	2017.06.16
			SIZE: A4	0.000±0.15	X° X'±2°	DESIGNER	肖坤权	2017.06.16
						DRAWN	旷淇	2017.06.16

**康 导 新 能 源**  
 网址: www.dgonne.com 电话: 0769-85337633  
 邮箱: 2850176886@qq.com 传真: 0769-85392827

PART. NO:	21504AWR	
DWG. NO:		
REV:	A0	SHEET: 1/1