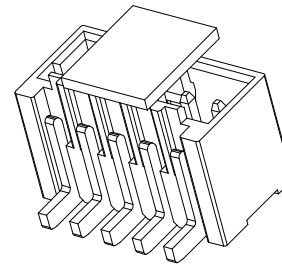
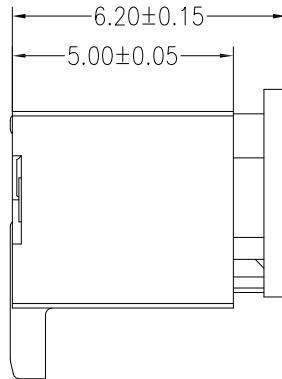
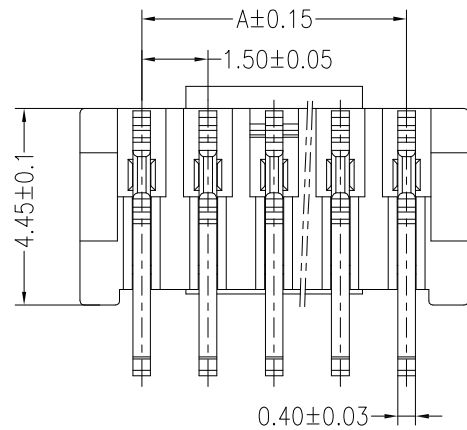
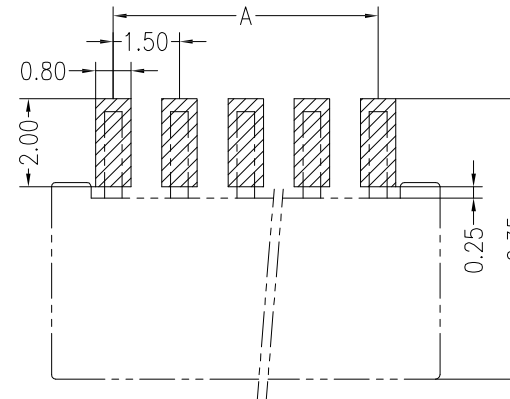
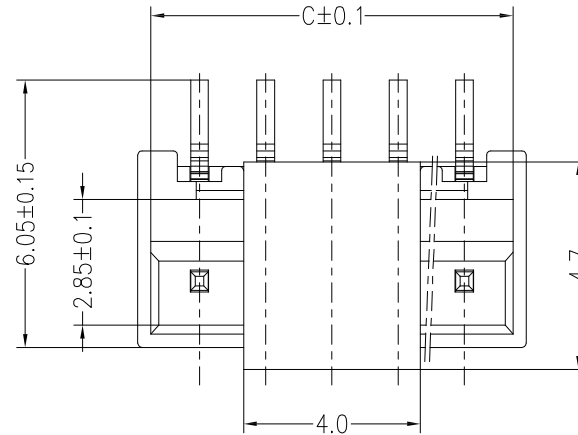
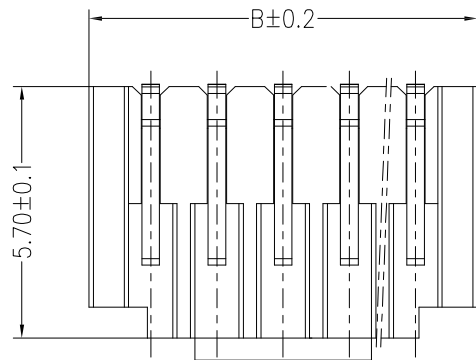


环保物料



主要技术参数 Main Specifications

线 数 (Poles): 02 to 15
 接触电阻 (Contact resistance): $\leq 20m\Omega$
 绝缘电阻 (Insulation resistance): $\geq 1000M\Omega$
 额定电压 (Rated voltage): 350V AC DC
 额定电流 (Rated current): 3.0A AC DC
 耐 电 压 (Withstand Voltage): 500V AC/minute
 温度范围 (Temperature Range): $-25^{\circ}C \sim +85^{\circ}C$



PCB LAYOUT

PIN.	DIM A	DIM B	DIM C
2pin	1.50	4.30	3.70
3pin	3.00	5.80	5.20
4pin	4.50	7.30	6.70
5pin	6.00	8.80	8.20
6pin	7.50	10.30	9.70
7pin	9.00	11.80	11.20
8pin	10.50	13.30	12.70
9pin	12.00	14.80	14.20
10pin	13.50	16.30	15.70
11pin	15.00	17.80	17.20
12pin	16.50	19.30	18.70
13pin	18.00	20.80	20.20
14pin	19.50	22.30	21.70
15pin	21.00	23.80	23.20

C	CAP	1 PCS	LCP	UL 94V-0, COLOR:BEIGE
B	CONTACT	2~15 PCS	PhosphorBronze	MATTE Sn-plated
A	PEDESTAL	1 PCS	LCP	UL 94V-0, COLOR:BEIGE
ITEM	COMPONENT	Q'TY	MATERIAL	FINISH



GENERAL TOLERANCES

LINEAR	ANGLES
0.0±0.35	X° REF±6°
0.00±0.25	X° ±3°
0.000±0.15	X° X'±2°

SCALE:
1:1

NAME

DATE

APPROVED

黎腾

2017.06.16

DESIGNER

肖坤权

2017.06.16

DRAWN

旷淇

2017.06.16



网址: www.dgonne.com 电话: 0769-85337633
 邮箱: 2850175886@qq.com 传真: 0769-85392827

PART. NO:

21504AWW

DWG. NO:

TITLE:

1.50mmPITCH 180° WAFER SMT TYPE

REV:

A0

SHEET: 1/1