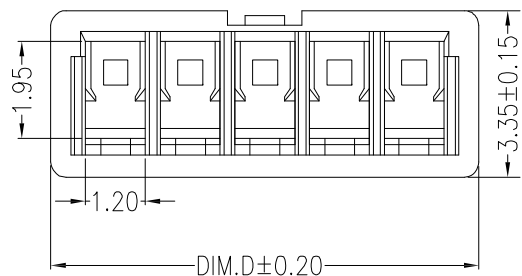
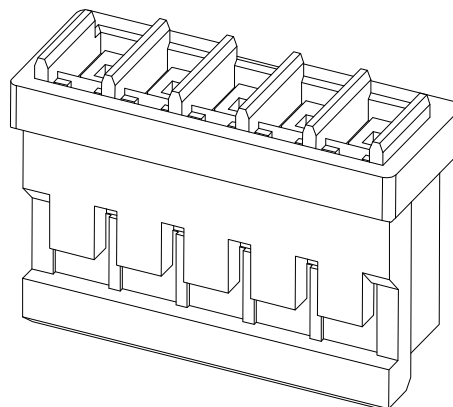
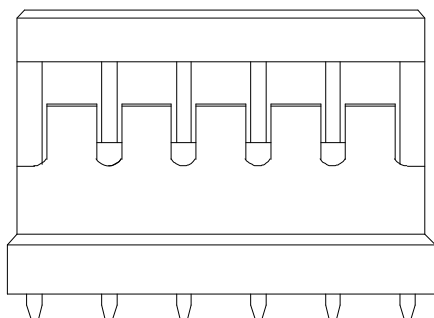
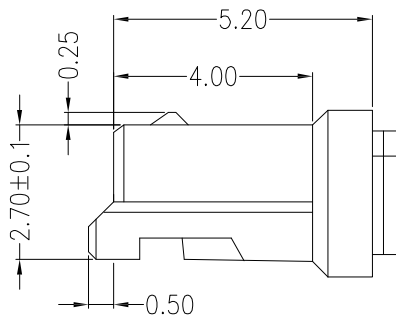
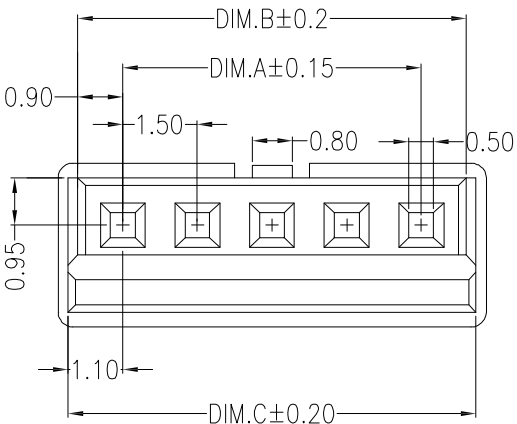


环保物料



主要技术参数 Main Specifications

线 数 (Poles): 02 to 15
 接触电阻 (Contact resistance): $\leq 20m\Omega$
 绝缘电阻 (Insulation resistance): $\geq 500M\Omega$
 额定电压 (Rated voltage): 125V AC DC
 额定电流 (Rated current): 2.5A AC DC
 耐 电 压 (Withstand Voltage): 500V AC/minute
 温度范围 (Temperature Range): $-25^{\circ}C \sim +105^{\circ}C$

Circuits	Dimensions (mm)			
	A	B	C	D
2	1.50	3.30	3.70	4.10
3	3.00	4.80	5.20	5.60
4	4.50	6.30	6.70	7.10
5	6.00	7.80	8.20	8.60
6	7.50	9.30	9.70	10.10
7	9.00	10.80	11.20	11.60
8	10.50	12.30	12.70	13.10
9	12.00	13.80	14.20	14.60
10	13.50	15.30	15.70	16.10
11	15.00	16.80	17.20	17.60
12	16.50	18.30	18.70	19.10
13	18.00	19.80	20.20	20.60
14	19.50	21.30	21.70	22.10
15	21.00	22.80	23.20	23.60

A	HOUSING	1 PCS	PA66	COLOR:WHITE
ITEM	COMPONENT	Q'TY	MATERIAL	FINISH

GENERAL TOLERANCES		SCALE: 1:1	NAME	DATE
LINEAR	ANGLES	APPROVED	黎腾	2017.06.16
0.0±0.35	X° REF±6°	DESIGNER	肖坤权	2017.06.16
A0	新图面发行	2017.06.16	UNIT: MM	0.00±0.25
REV.	REVISION RECORD	DATE	SIZE: A4	0.000±0.15
				X° X'±2°
				DRAWN
				旷淇
				2017.06.16



PART. NO:	21504Y	
DWG. NO:		
REV:	A0	SHEET: 1/1

TITLE: 1.50mmPITCH HOUSING