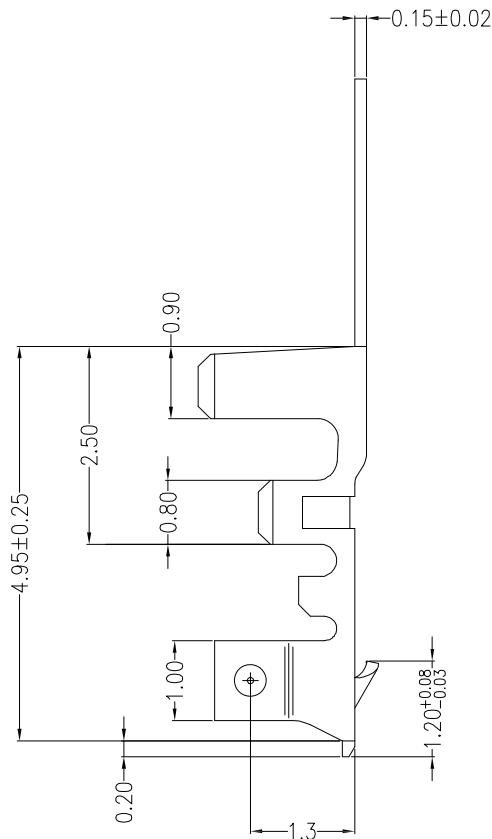
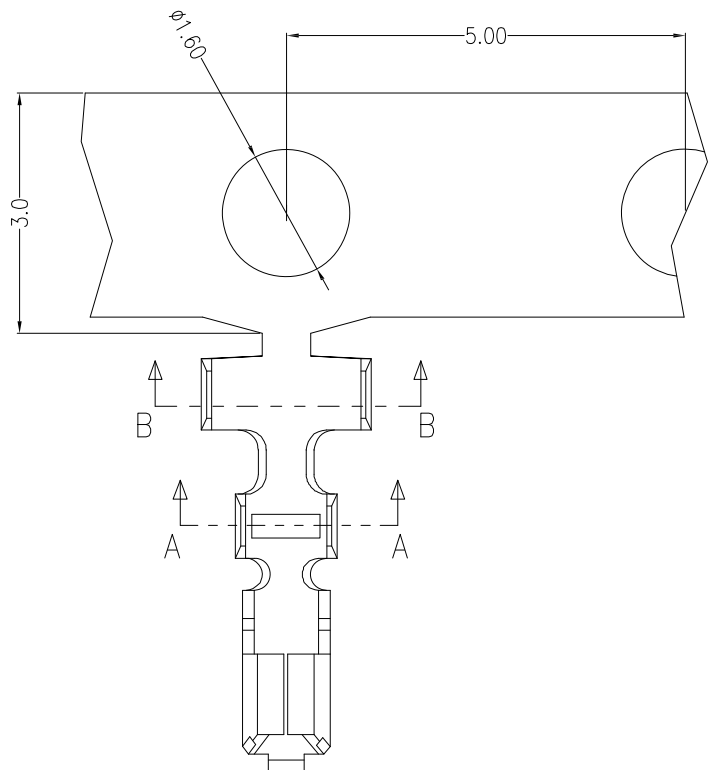


环保物料

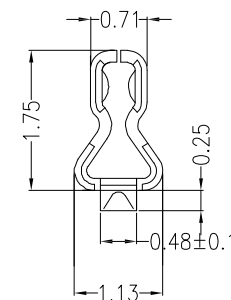
主要技术参数 Main Specifications

接触电阻 (Contact resistance): $\leq 20m\Omega$
 绝缘电阻 (Insulation resistance): $\geq 1000M\Omega$
 额定电压 (Rated voltage): 150V AC DC
 额定电流 (Rated current): 3.0A AC DC
 耐电压 (Withstand Voltage): 500V AC/minute
 温度范围 (Temperature Range): $-25^{\circ}C \sim +85^{\circ}C$



SECT. A-A

SECT. B-B



Wire Range	Insulation O. D.	Material	Finish	Qty/Reel
AWG #24~#28	1.10mm (max)	Phosphor bronze	Tin-plated	10000PCS

GENERAL TOLERANCES		SCALE: 1:1	NAME	DATE	康导新能源 网址: www.dgonne.com 电话: 0769-85337633 邮箱: 2850175988@qq.com 传真: 0769-85392827	PART. NO: 21504T
LINEAR	ANGLES					
0.0±0.35	X° REF±6°		黎腾	2017.06.16		
0.00±0.25	X° ±3°		肖坤权	2017.06.16	TITLE: 1.50mmPITCH TERMINAL	
0.000±0.15	X° X'±2°		旷淇	2017.06.16		REV: A0 SHEET: 1/1