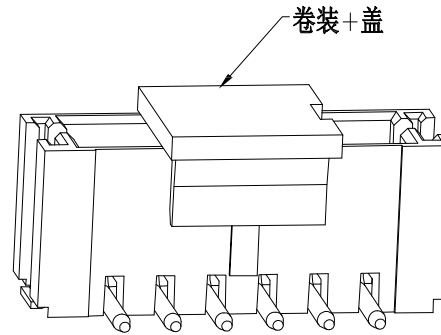
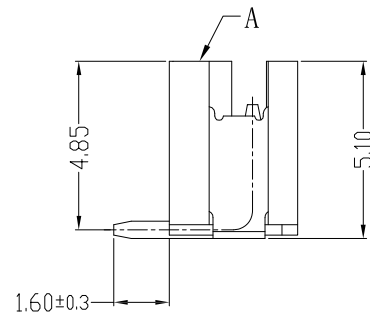
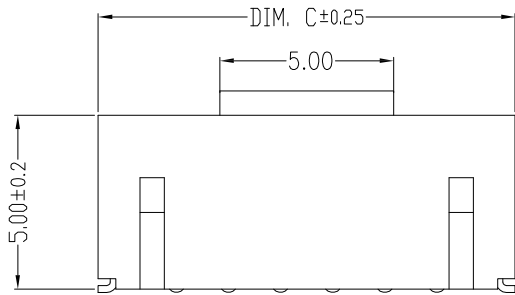


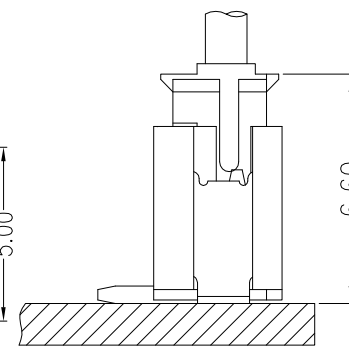
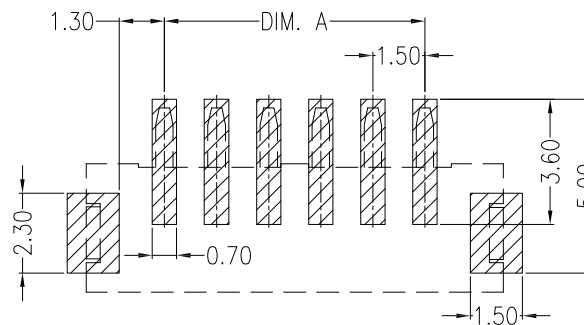
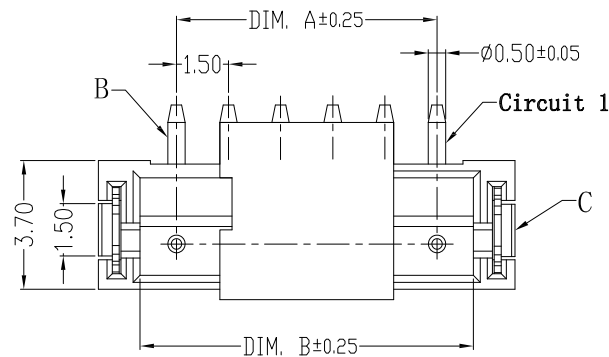
环保物料

主要技术参数 Main Specifications

线 数 (Poles): 02 to 16  
 接触电阻 (Contact resistance):  $\leq 20m\Omega$   
 绝缘电阻 (Insulation resistance):  $\geq 500M\Omega$   
 额定电压 (Rated voltage): 125V AC DC  
 额定电流 (Rated current): 1.0A AC DC  
 耐 电压 (Withstand Voltage): 500V AC/minute  
 温度范围 (Temperature Range):  $-25^{\circ}C \sim +105^{\circ}C$



Circuits	Dimensions (mm)		
	DIM. A	DIM. B	DIM. C
02	1.50	3.60	6.00
03	3.00	5.10	7.50
04	4.50	6.60	9.00
05	6.00	8.10	10.50
06	7.50	9.60	12.00
07	9.00	11.10	13.50
08	10.50	12.60	15.00
09	12.00	14.10	16.50
10	13.50	15.60	18.00
11	15.00	17.10	19.50
12	16.50	18.60	21.00
13	18.00	20.10	22.50
14	19.50	21.60	24.00
15	21.00	23.10	25.50
16	22.50	24.60	27.00



Assembly Layout

ITEM	COMPONENT	Q'TY	MATERIAL	FINISH
C	SOLDER TAB	2 PCS	PhosphorBronze	Sn-plated/Au
B	CONTACT	n PCS	Brass	Sn-plated/Au
A	PEDESTAL	1 PCS	LCP/PA9T	UL 94V-0, COLOR:BEIGE

GENERAL TOLERANCES		SCALE:	NAME	DATE	康 导 新 能 源 网址: www.dgonne.com 电话: 0769-85337633 邮箱: 2850176886@qq.com 传真: 0769-85392827	PART. NO: 21501AWW	
LINEAR	ANGLES	1:1	APPROVED	黎腾			2017.06.16
0.0 ± 0.35	X° REF ± 6°		DESIGNER	肖坤权			2017.06.16
0.00 ± 0.25	X° ± 3°		DRAWN	旷淇			2017.06.16
REV.	REVISION RECORD	DATE	UNIT: MM	SIZE: A4	TITLE: 1.50mmPITCH 180° WAFER SMT TYPE	REV: A0 SHEET: 1/1	