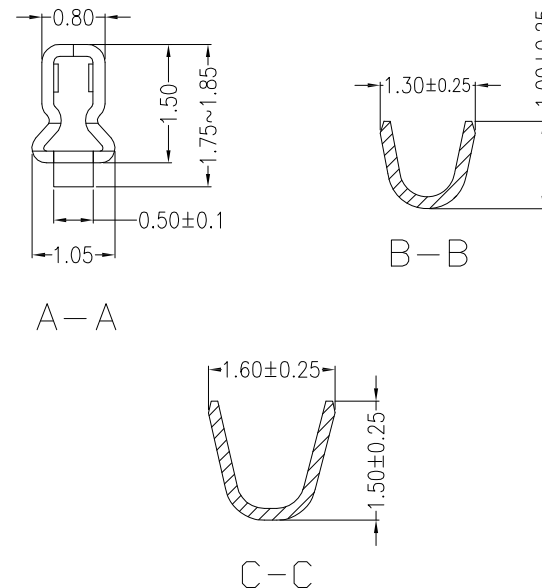
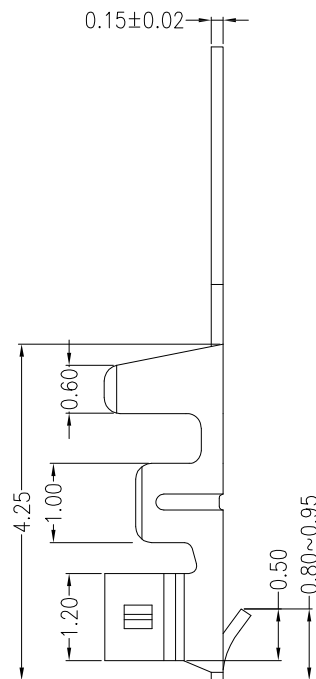
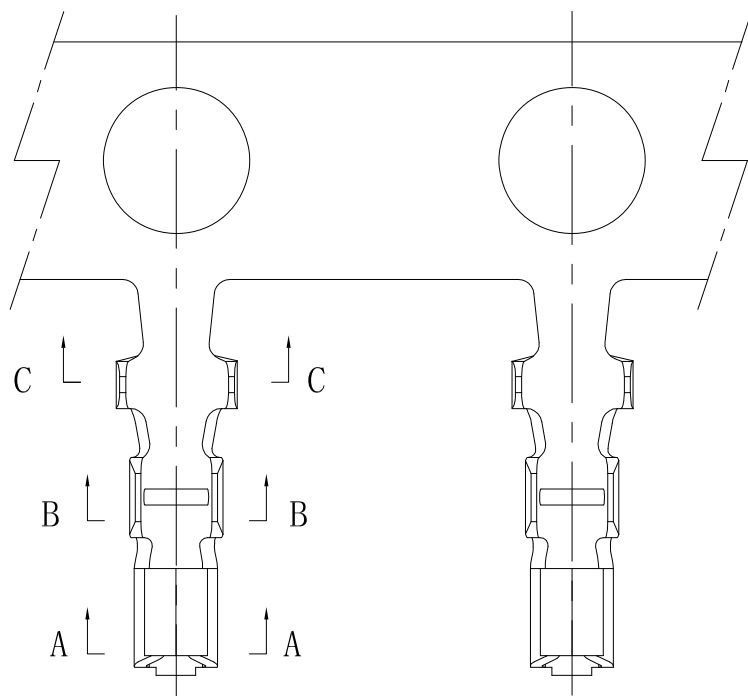


环保物料

Specifications:

Contact resistance: $\leq 20m\Omega$
 Insulation resistance: $\geq 100M\Omega$
 Rated voltage: 125V AC DC
 Rated current: 1.0A AC DC
 Withstand Voltage: 500V AC/minute
 Temperature Range: $-25^{\circ}C \sim +85^{\circ}C$



Wire Range	Insulation O.D.	Material	Finish	Qty/Reel
AWG #28~#32	0.90mm (max)	Phosphor bronze	Tin-plated	/

GENERAL TOLERANCES		SCALE:	NAME	DATE	康导新能源 网址: www.dgonne.com 电话: 0769-85337633 邮箱: 2850175986@qq.com 传真: 0769-85392827	PART. NO: 21501T
LINEAR	ANGLES	1:1	APPROVED	黎腾		
0.0±0.35	X° REF±6°		DESIGNER	肖坤权	2017.06.16	DWG. NO:
0.00±0.25	X° ±3°		DRAWN	旷淇	2017.06.16	REV: A0 SHEET: 1/1
0.000±0.15	X° X'±2°		TITLE: 1.50mmPITCH TERMINAL			



康导新能源

网址: www.dgonne.com 电话: 0769-85337633
 邮箱: 2850175986@qq.com 传真: 0769-85392827

PART. NO:
21501T

DWG. NO:

REV: A0 SHEET: 1/1