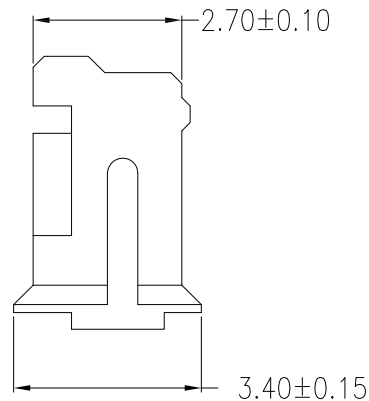
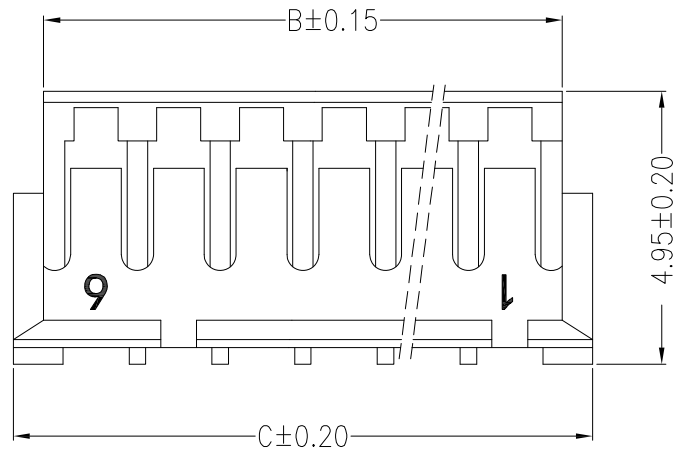
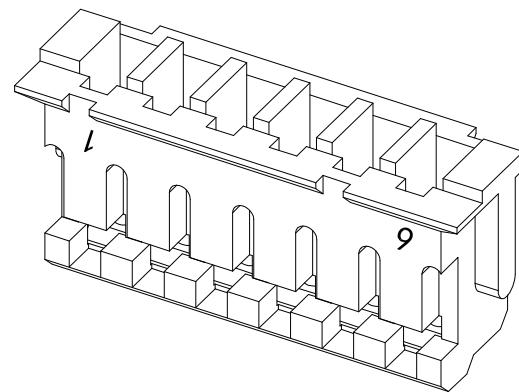
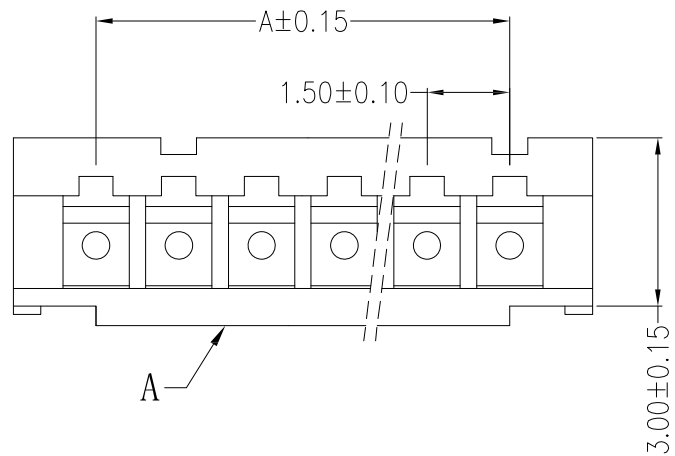


环保物料



主要技术参数 Main Specifications

- 线数 (Poles): 02 to 16
- 接触电阻 (Contact resistance): $\leq 20m\Omega$
- 绝缘电阻 (Insulation resistance): $\geq 500M\Omega$
- 额定电压 (Rated voltage): 125V AC DC
- 额定电流 (Rated current): 1.0A AC DC
- 耐电压 (Withstand Voltage): 500V AC/minute
- 温度范围 (Temperature Range): $-25^{\circ}C \sim +85^{\circ}C$



Circuits	Dimensions (mm)			Circuits	Dimensions (mm)		
	A	B	C		A	B	C
02	1.50	3.40	4.50	10	13.50	15.40	16.50
03	3.00	4.90	6.00	11	15.00	16.90	18.00
04	4.50	6.40	7.50	12	16.50	18.40	19.50
05	6.00	7.90	9.00	13	18.00	19.90	21.00
06	7.50	9.40	10.50	14	19.50	21.40	22.50
07	9.00	10.90	12.00	15	21.00	22.90	24.00
08	10.50	12.40	13.50	16	22.50	24.40	25.50
09	12.00	13.90	15.00				

A	HOUSING	1 PCS	PA66	COLOR:WHITE
ITEM	COMPONENT	Q'TY	MATERIAL	FINISH

GENERAL TOLERANCES		SCALE: 1:1	NAME	DATE	<p>康导新能源</p> <p>网址: www.dgonne.com 电话: 0769-85337633</p> <p>邮箱: 2850176886@qq.com 传真: 0769-85392827</p>	PART. NO:	21501Y
LINEAR	ANGLES	APPROVED	黎腾	2017.06.16		DWG. NO:	
0.00±0.35	X° REF±6°	DESIGNER	肖坤权	2017.06.16		REV:	A0
0.00±0.25	X° ±3°	DRAWN	旷淇	2017.06.16		SHEET:	1/1
REV.	REVISION RECORD	DATE	UNIT: MM	SIZE: A4	TITLE: 1.50mmPITCH HOUSING		