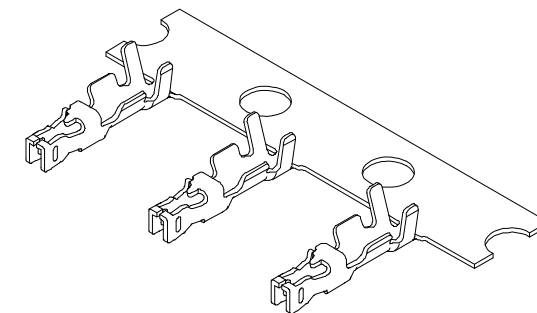
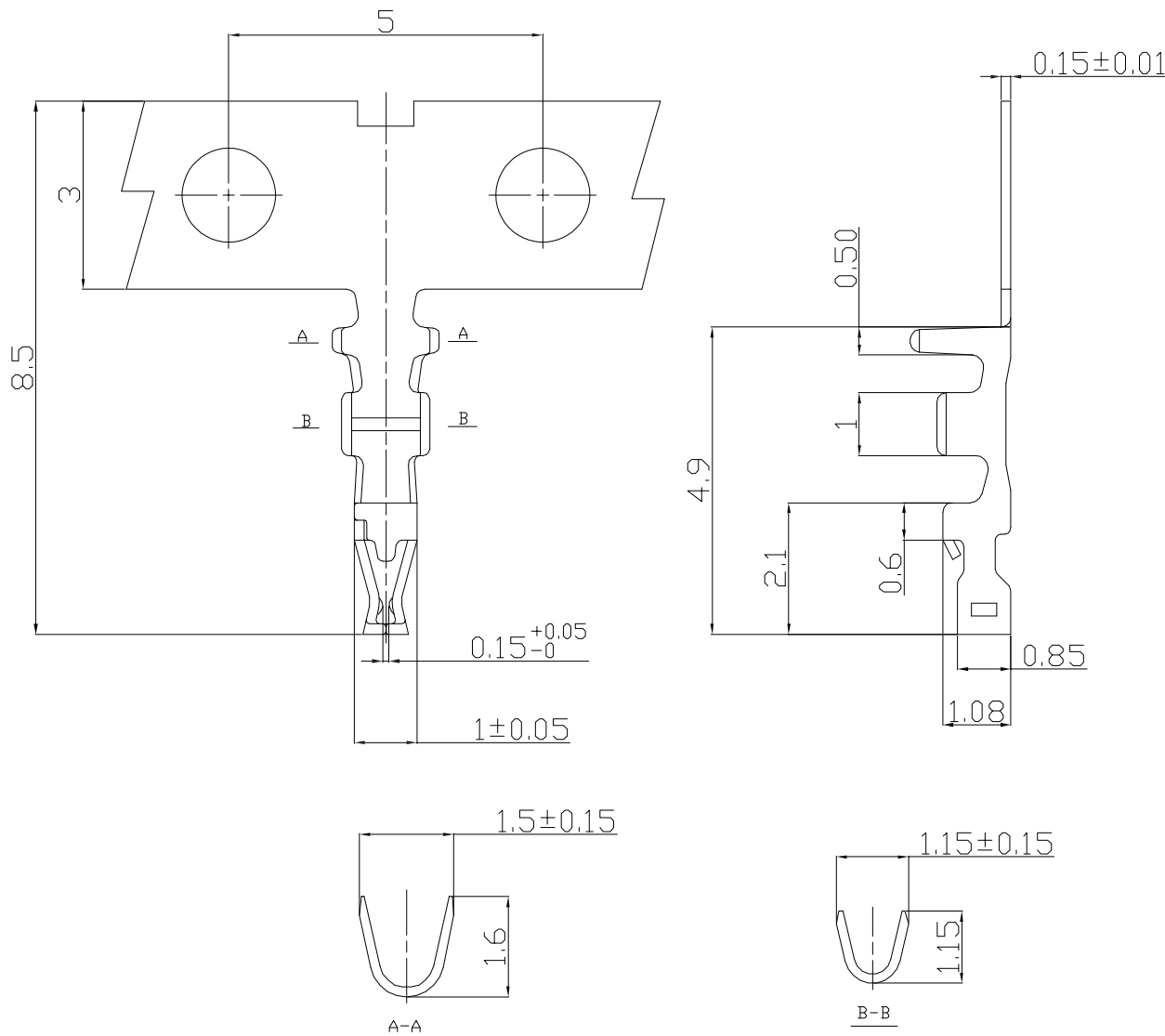


环保物料

主要技术参数
Main Specifications

线数 (poles): 2 to 30P
 额定电流 (Current rating): 1.0A AC, DC
 额定电压 (Voltage rating): 150V AC, DC
 温度范围 (Temperature range): -25°C to +85°C
 接触电阻 (Contact resistance): $\leq 30m\Omega$
 绝缘电阻 (Insulation resistance): $\geq 500M\Omega$
 耐电压 (Withstand voltage): 500V AC/minute
 适用线规 (Applicable wire): AWG #32 to #28



Wire Range	Insulation O.D.	Material	Finish	Qty/Reel
AWG #32 to #28		Phosphor bronze	Tin-plated	12000PCS/Reel (1盘)

GENERAL TOLERANCES		SCALE: 1:1		NAME		DATE		康导新能源		PART. NO:		
				黎腾		2017.06.16		网址: www.dgconne.com 电话: 0769-85337633 邮箱: 2850175988@qq.com 传真: 0769-85392627		21256T		
				肖坤权		2017.06.16		DWG. NO:				
AO	新图面发行	2017.06.16	UNIT: MM	0.00±0.25	X° ±3°	DRAWN	旷淇	2017.06.16	TITLE:		REV: A0	SHEET: 1/1
REV.	REVISION RECORD	DATE	SIZE: A4	0.000±0.15	X° X' ±2°			1.25mm PITCH TERMINAL				