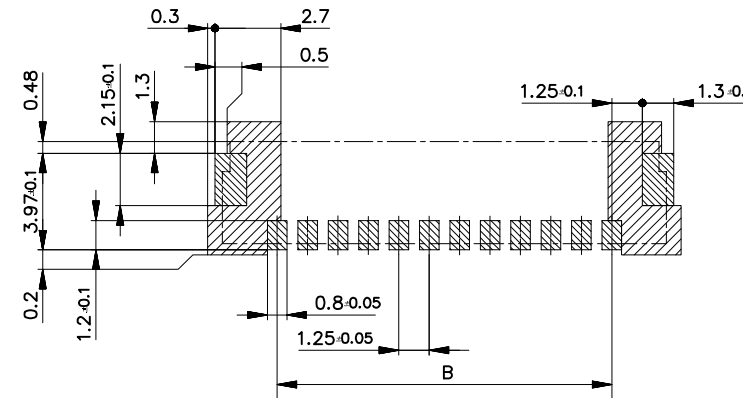
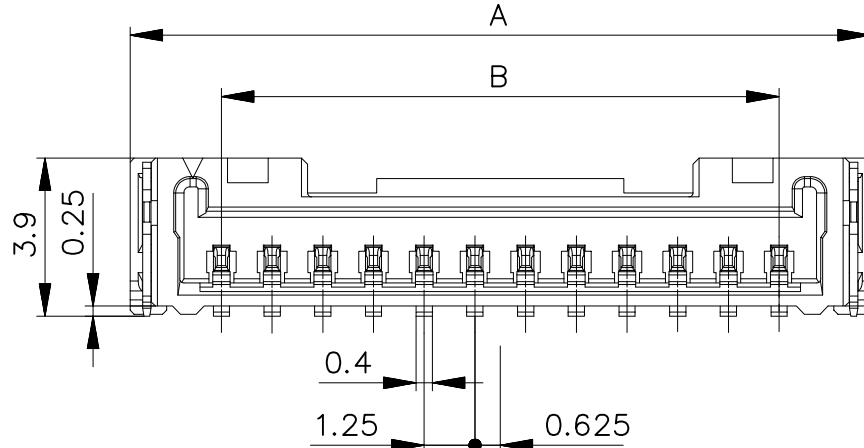
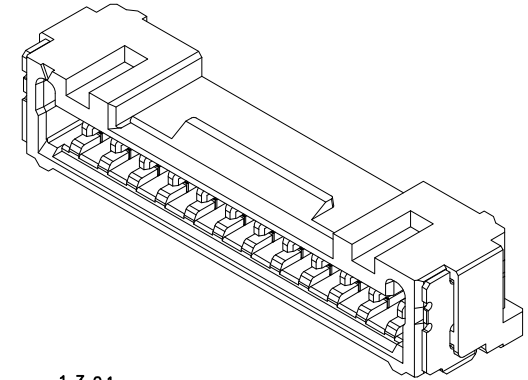
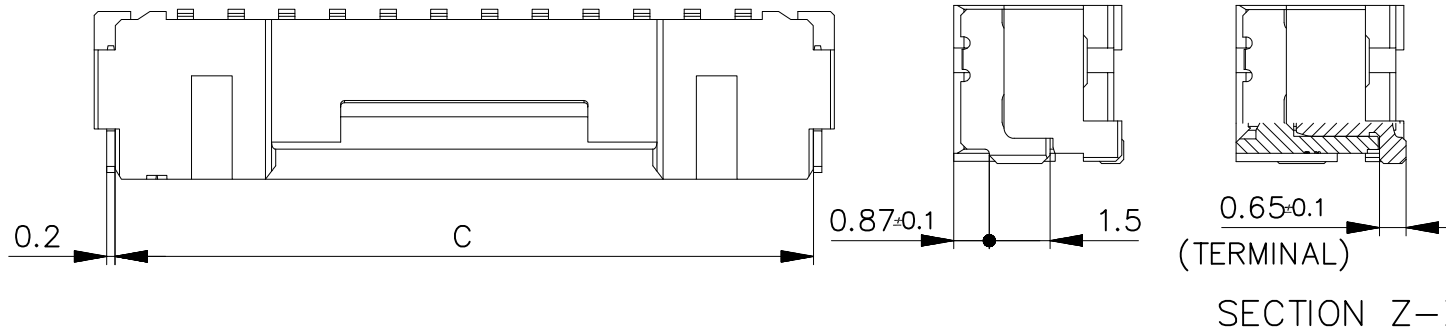


环保物料

主要技术参数 Main Specifications

线 数 (Poles): 02 to 16
 接触电阻 (Contact resistance): $\leq 20m\Omega$
 绝缘电阻 (Insulation resistance): $\geq 500M\Omega$
 额定电压 (Rated voltage): 150V AC DC
 额定电流 (Rated current): 1.0A AC DC
 耐 电 压 (Withstand Voltage): 500V AC/minute
 温度范围 (Temperature Range): $-25^{\circ}C \sim +85^{\circ}C$



22.20	18.75	23.25	16
20.95	17.50	22.00	15
19.70	16.25	20.75	14
18.45	15.00	19.50	13
17.20	13.75	18.25	12
15.95	12.50	17.00	11
14.70	11.25	15.75	10
13.45	10.00	14.50	9
12.20	8.75	13.25	8
10.95	7.50	12.00	7
9.70	6.25	10.75	6
8.45	5.00	9.50	5
7.20	3.75	8.25	4
5.95	2.50	7.00	3
4.70	1.25	5.75	2
C	B	A	CIRCUIT

PCB LAYOUT

NO.	PART	MATERIAL
①	HOUSING	PA, GLASS FILLED, UL94 V-0, COLOR: BEIGE
②	TERMINAL	BRASS MATTE TIN-BISMUTH PLATING
③	NAIL	BRASS MATTE TIN PLATING

REV.	REVISION RECORD	DATE	SIZE: A4	GENERAL TOLERANCES	SCALE: 1:1	NAME	DATE	康 导 新 能 源 网址: www.dgconne.com 电话: 0769-85337633 邮箱: 2850175988@qq.com 传真: 0769-85392827	PART. NO:
A0	新图面发行	2017.06.16	UNIT: MM	LINEAR: 0.00±0.25 ANGLES: X° ±3°	APPROVED	黎 腾	2017.06.16		21259AWR
				0.0±0.35 X° REF±6°	DESIGNER	肖坤权	2017.06.16		DWG. NO:
				0.000±0.15 X° X'±2°	DRAWN	旷 淇	2017.06.16		REV: A0 SHEET: 1/1

