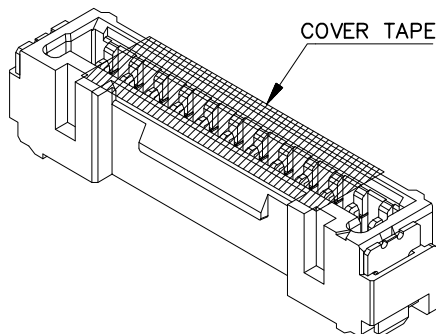
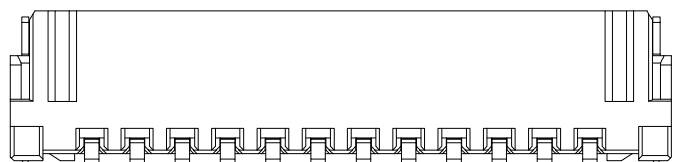
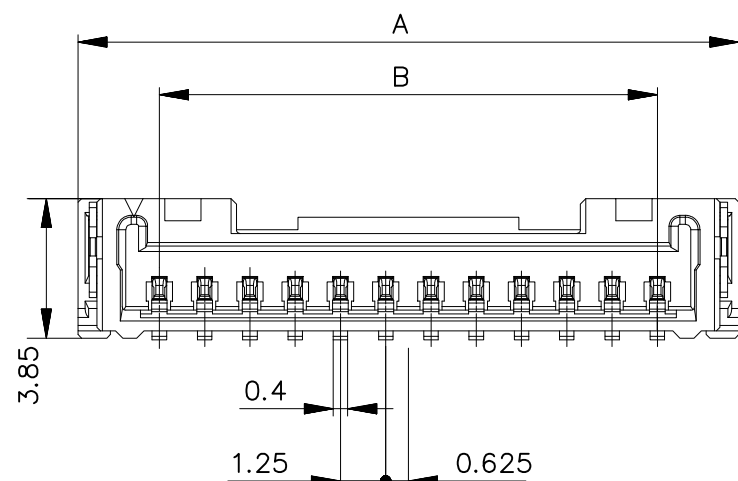
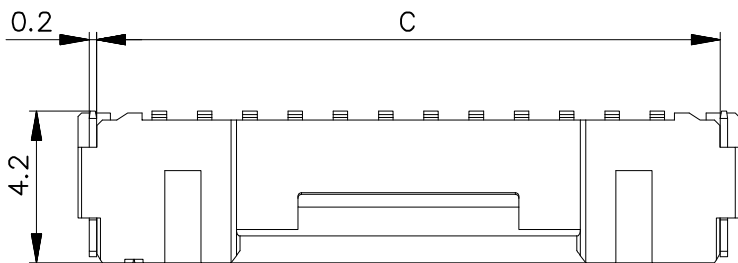
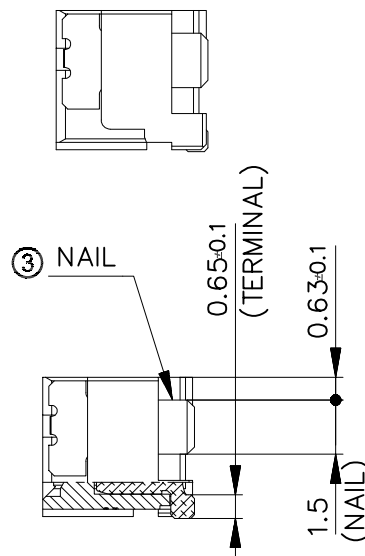


环保物料

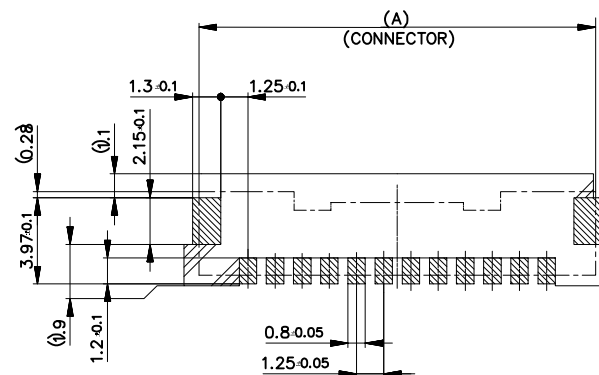


主要技术参数 Main Specifications

线数 (Poles): 02 to 16  
 接触电阻 (Contact resistance):  $\leq 20m\Omega$   
 绝缘电阻 (Insulation resistance):  $\geq 500M\Omega$   
 额定电压 (Rated voltage): 150V AC DC  
 额定电流 (Rated current): 1.0A AC DC  
 耐电压 (Withstand Voltage): 500V AC/minute  
 温度范围 (Temperature Range):  $-25^{\circ}C \sim +85^{\circ}C$




SECTION Z-Z



22.20	18.75	23.25	16
20.95	17.50	22.00	15
19.70	16.25	20.75	14
18.45	15.00	19.50	13
17.20	13.75	18.25	12
15.95	12.50	17.00	11
14.70	11.25	15.75	10
13.45	10.00	14.50	9
12.20	8.75	13.25	8
10.95	7.50	12.00	7
9.70	6.25	10.75	6
8.45	5.00	9.50	5
7.20	3.75	8.25	4
5.95	2.50	7.00	3
4.70	1.25	5.75	2
C	B	A	CIRCUIT

NO.	PART	MATERIAL
①	HOUSING	PA, GLASS FILLED, UL94 V-0, COLOR: BEIGE
②	TERMINAL	BRASS GOLD PLATING
③	NAIL	BRASS MATTE TIN PLATING
④	COVER TAPE	PA

REV.	REVISION RECORD	DATE	SIZE: A4	GENERAL TOLERANCES		SCALE: 1:1	NAME	DATE
				LINEAR	ANGLES			
A0	新图面发行	2017.06.16	UNIT: MM	0.00±0.25	X° ±3°	APPROVED	黎腾	2017.06.16
				0.00±0.15	X° X'±2°	DESIGNER	肖坤权	2017.06.16
						DRAWN	旷淇	2017.06.16



PART. NO: 21259AWW

DWG. NO:

REV: A0 SHEET: 1/1

TITLE: 1.25mmPITCH 180° WAFER SMT TYPE