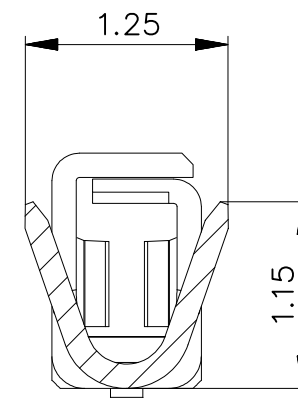
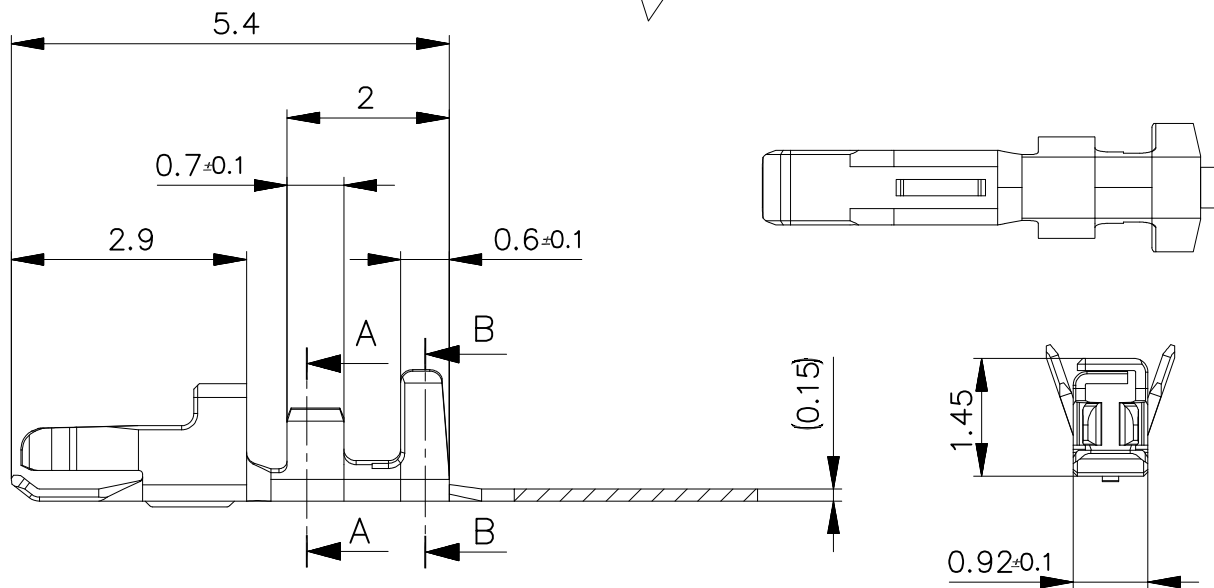
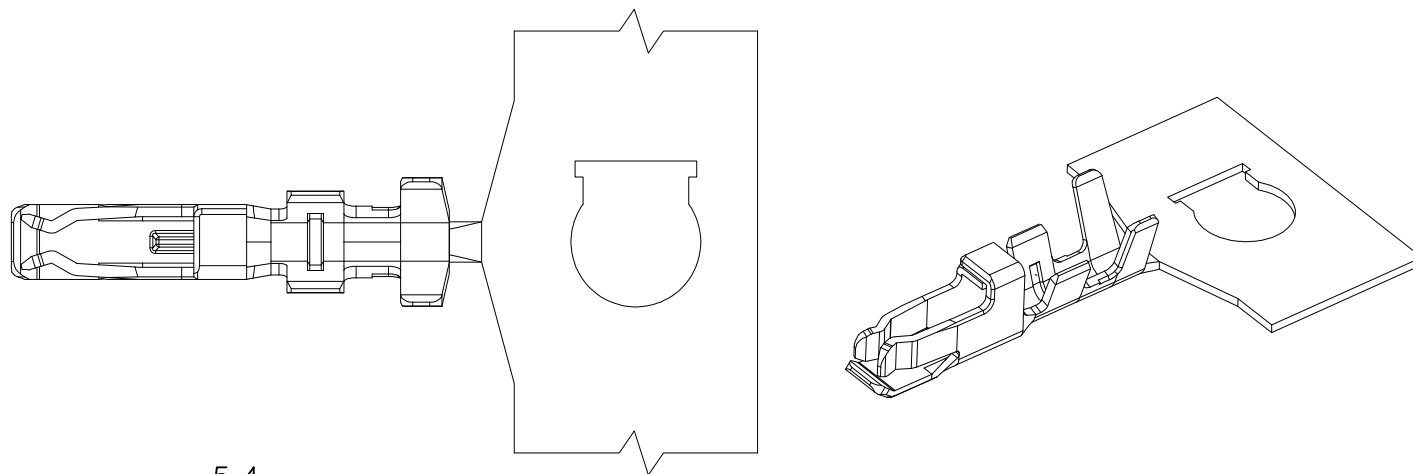


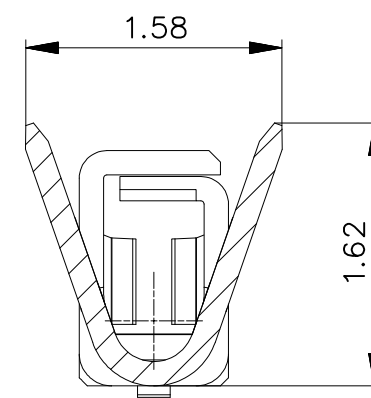
环保物料

主要技术参数 Main Specifications

适用线规 (Applicable wire gauge): AWG#26~30
 接触电阻 (Contact resistance): $\leq 20m\Omega$
 绝缘电阻 (Insulation resistance): $\geq 500M\Omega$
 额定电压 (Rated voltage): 150V AC DC
 额定电流 (Rated current): 1.0A AC DC
 耐电压 (Withstand Voltage): 500V AC/minute
 温度范围 (Temperature Range): $-25^{\circ}C \sim +85^{\circ}C$



SECTION A-A



SECTION B-B

Wire Range	Insulation O.D.	Material	Finish	Qty/Reel
AWG#26~30	$\Phi 0.78-1.02mm$	COPPER ALLOY	Tin-plated	

REVISION RECORD		DATE	SIZE: A4	GENERAL TOLERANCES		SCALE: 1:1	NAME	DATE	康导新能源 网址: www.dgconne.com 电话: 0769-85337633 邮箱: 2850175988@qq.com 传真: 0769-85392827	PART NO: 21259T	DWG. NO:	REV: A0	SHEET: 1/1
REV.	DESCRIPTION			LINEAR	ANGLES	APPROVED							
A0	新图面发行	2017.06.16	UNIT: MM	0.00±0.25	$X^{\circ} \pm 3^{\circ}$	DESIGNER	肖坤权	2017.06.16	康导新能源 网址: www.dgconne.com 电话: 0769-85337633 邮箱: 2850175988@qq.com 传真: 0769-85392827	PART NO: 21259T	DWG. NO:	REV: A0	SHEET: 1/1
				0.00±0.15	$X^{\circ} X' \pm 2^{\circ}$	DRAWN	旷淇	2017.06.16					