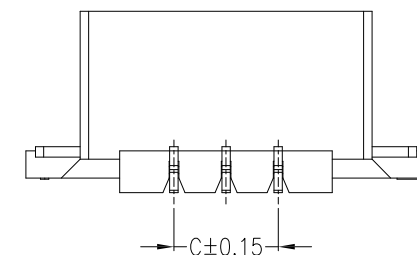
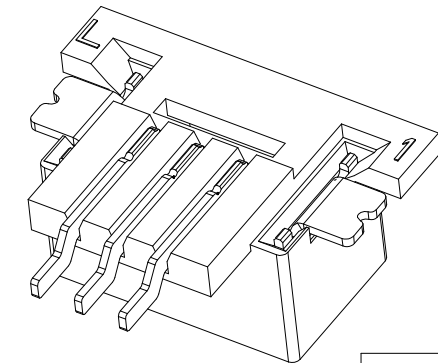
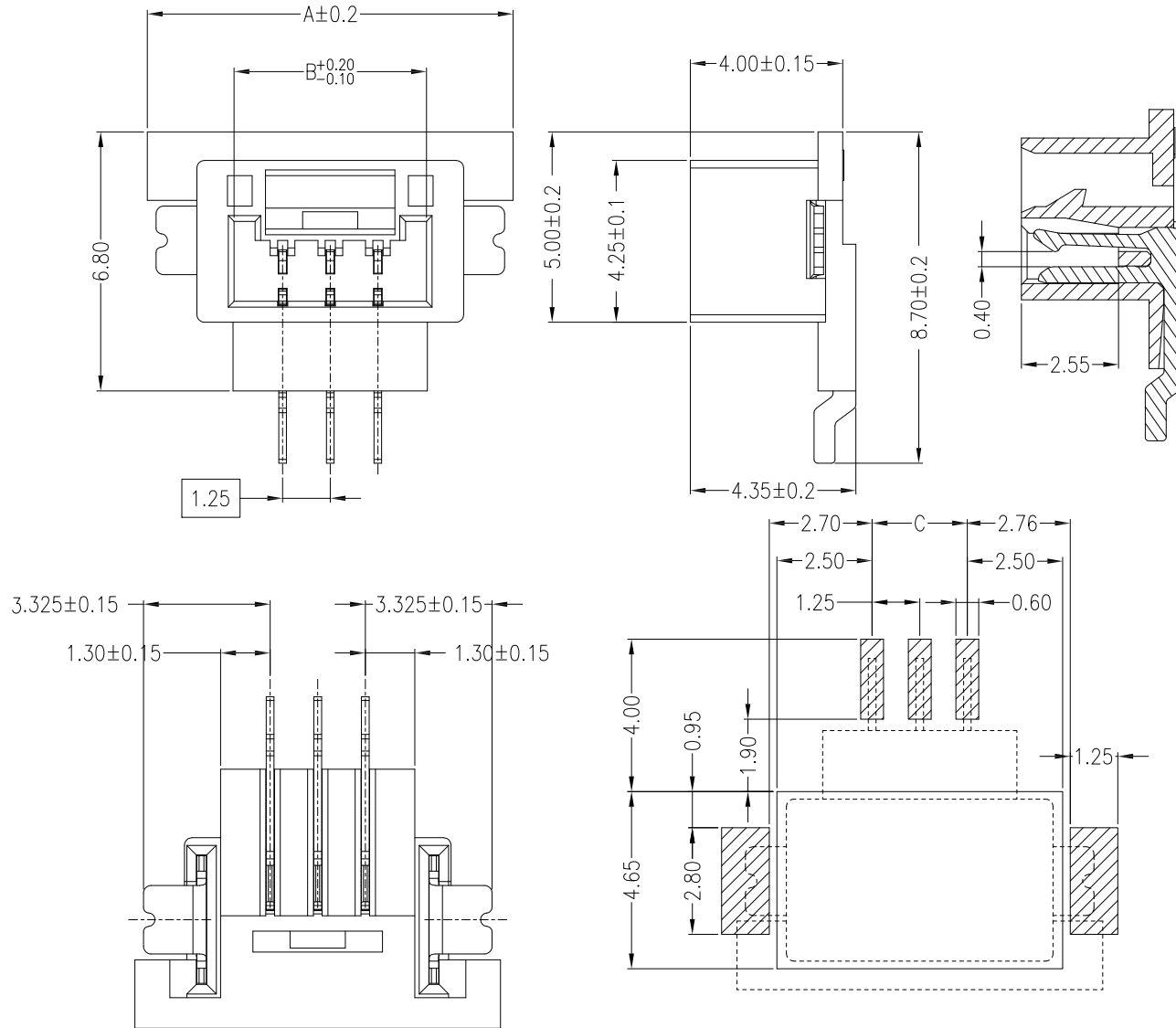


环保物料

Specifications:

Poles: 02~15
 Contact resistance: $\leq 10\text{m}\Omega$
 Insulation resistance: $\geq 1000\text{M}\Omega$
 Rated voltage: 150V AC DC
 Rated current: 1.0A AC DC
 Withstand Voltage: 800V AC/minute
 Temperature Range: $-40^{\circ}\text{C} \sim +85^{\circ}\text{C}$
 Housing: LCP UL94V-0, Natural (Beige)
 Contacts: Phosphor Bronze Sn-plated
 Solder Tabs: Brass Sn-plated



Circuits	Dimensions (mm)		
	A	B	C
02	8.35	3.80	1.25
03	9.60	5.05	2.50
04	10.85	6.30	3.75
05	12.10	7.55	5.00
06	13.35	8.80	6.25
07	14.60	10.05	7.50
08	15.85	11.30	8.75
09	17.10	12.55	10.00
10	18.35	13.80	11.25
11	19.60	15.05	12.50
12	20.85	16.30	13.75
13	22.10	17.55	15.00
14	23.35	18.80	16.25
15	24.60	20.05	17.50

SUGGESTED PCB LAYOUT

		GENERAL TOLERANCES		SCALE: 1:1	NAME	DATE	康导新能源 网址: www.dgonne.com 电话: 0769-85337633 邮箱: 2850176886@qq.com 传真: 0769-85392827	PART. NO: 21253FWW	
		LINEAR	ANGLES	APPROVED	黎腾	2017.06.16		DWG. NO:	
A0	新图面发行	2017.06.16	UNIT: MM	DESIGNER	肖坤权	2017.06.16	REV: A0		
REV.	REVISION RECORD	DATE	SIZE: A4	DRAWN	旷淇	2017.06.16	SHEET: 1/1		