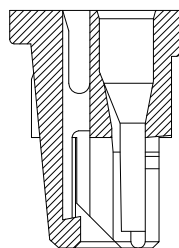
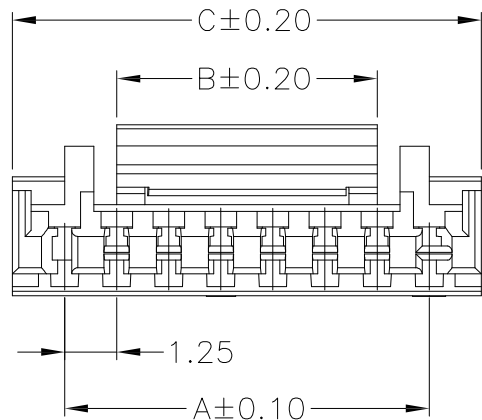
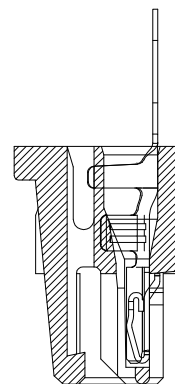
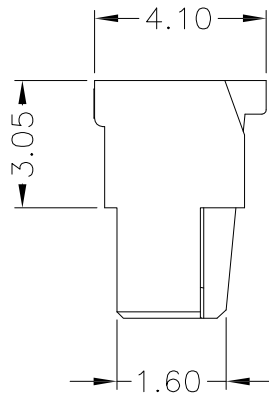
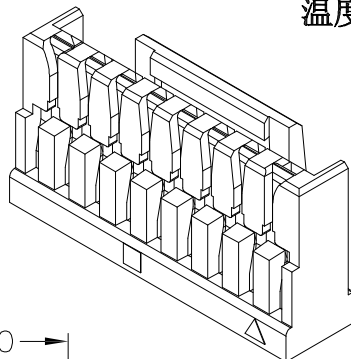
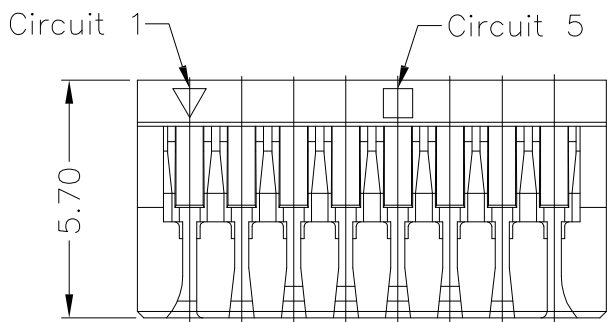


环保物料

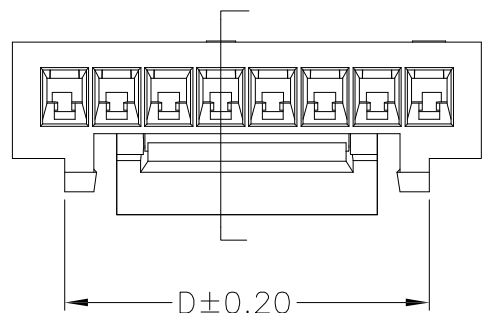


主要技术参数 Main Specifications

线数 (Poles): 02 to 16
 接触电阻 (Contact resistance): $\leq 20m\Omega$
 绝缘电阻 (Insulation resistance): $\geq 100M\Omega$
 额定电压 (Rated voltage): 125 V AC DC
 额定电流 (Rated current): 1.0A AC DC
 耐电压 (Withstand Voltage): 500V AC/minute
 温度范围 (Temperature Range): $-25^{\circ}C \sim +85^{\circ}C$



Circuits	Dimensions (mm)			
	DIM. A	DIM. B	DIM. C	DIM. D
02	1.25	2.20	3.75	
03	2.50	2.90	5.00	
04	3.75	4.20	6.25	
05	5.00	4.20	7.50	
06	6.25	6.25	8.75	
07	7.50	6.25	10.00	
08	8.75	6.25	11.25	8.75
09	10.00	6.25	12.50	10.00
10	11.25	8.20	13.75	11.25
11	12.50	8.20	15.00	12.50
12	13.75	8.20	16.25	13.75
13	15.00	8.20	17.50	15.00
14	16.25	8.20	18.75	16.25
15	17.50	8.20	20.00	17.50



A	HOUSING	2~16 PCS	PA66	COLOR:WHITE
ITFM	COMPONENT	Q'TY	MATERIAL	FINISH

		GENERAL TOLERANCES		SCALE: 1:1	NAME	DATE	 康导新能源 网址: www.dgonne.com 电话: 0769-85337633 邮箱: 2850176986@qq.com 传真: 0769-85392827	PART. NO:
		LINEAR	ANGLES	APPROVED	黎腾	2017.06.16		21253Y
A0	新图面发行	0.00±0.25	X° ±3°	DESIGNER	肖坤权	2017.06.16		DWG. NO:
REV.	REVISION RECORD	0.000±0.15	X° X'±2°	DRAWN	旷淇	2017.06.16		REV: A0 SHEET: 1/1

1.25mm PITCH HOUSING