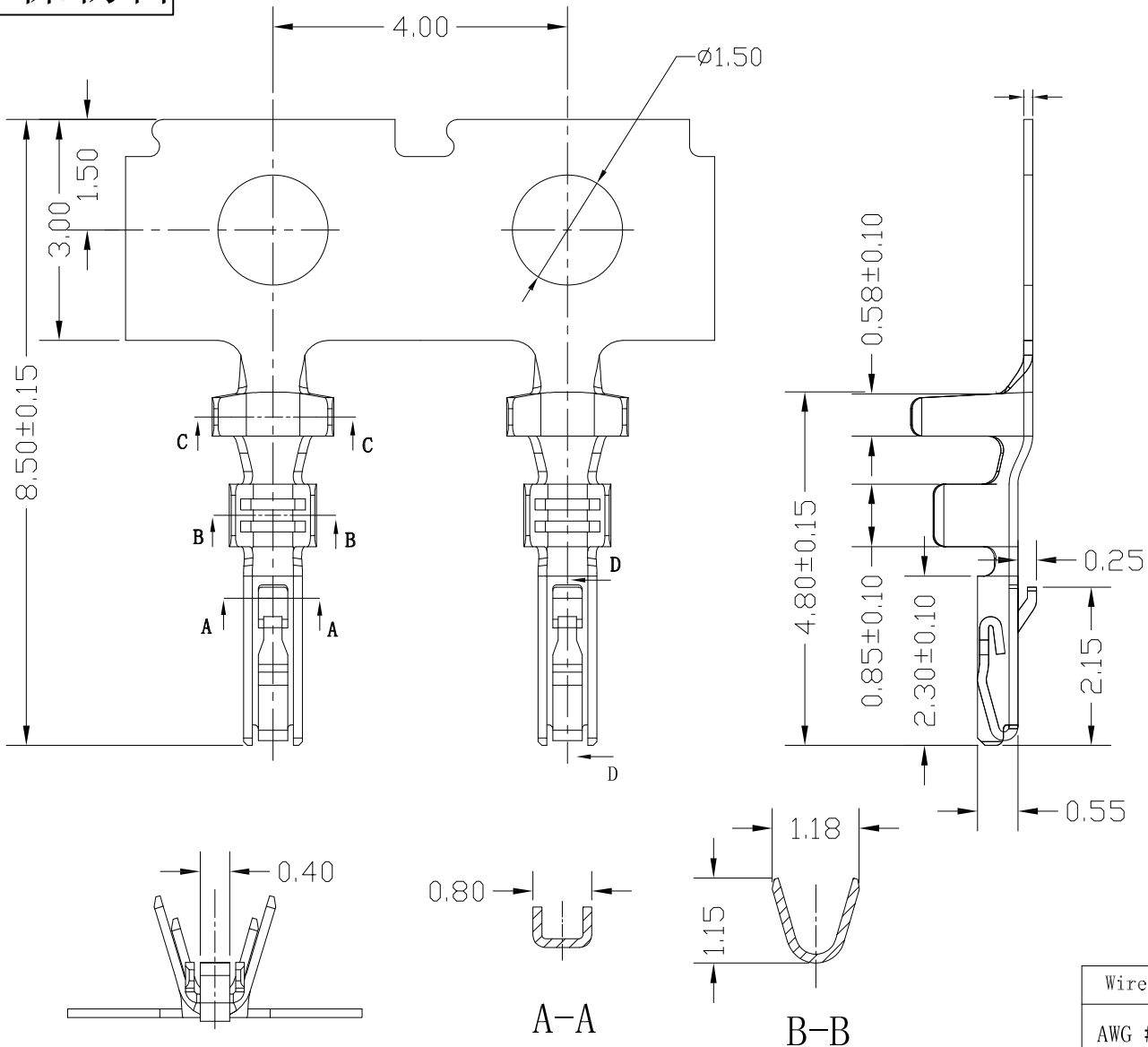


环保物料



Specifications:

- Contact resistance: $\leq 20m\Omega$
- Insulation resistance: $\geq 100M\Omega$
- Rated voltage: 125V AC DC
- Rated current: 1.0A AC DC
- Withstand Voltage: 500V AC/minute
- Temperature Range: $-25^{\circ}C \sim +85^{\circ}C$

Wire Range	Insulation O.D.	Material	Finish	Qty/Reel
AWG #26~#30	1.00mm(max)	Phosphor bronze	Tin-plated	/

GENERAL TOLERANCES		SCALE:		NAME	DATE	康导新能源	PART. NO:	
LINEAR	ANGLES	1:1	APPROVED					黎腾
0.0 ± 0.35	$X^{\circ} \text{ REF} \pm 6^{\circ}$	DESIGNER	肖坤权	2017.06.16	网址: www.dgonne.com 电话: 0769-85337633 邮箱: 2850176986@qq.com 传真: 0769-85392827		DWG. NO:	
0.00 ± 0.25	$X^{\circ} \pm 3^{\circ}$	DRAWN	旷淇	2017.06.16			REV:	A0
REV.	REVISION RECORD	DATE	SIZE: A4	0.000 ± 0.15	$X^{\circ} X' \pm 2^{\circ}$	TITLE:		1.25mmPITCH TERMINAL