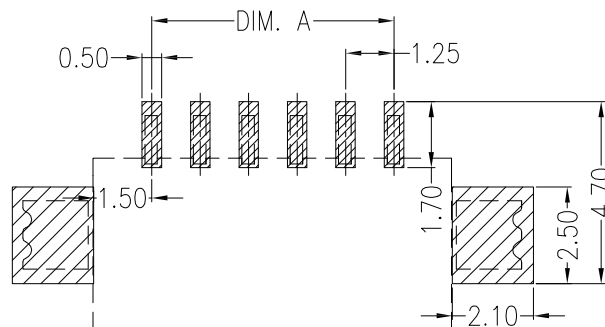
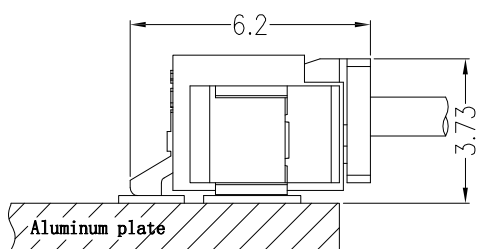
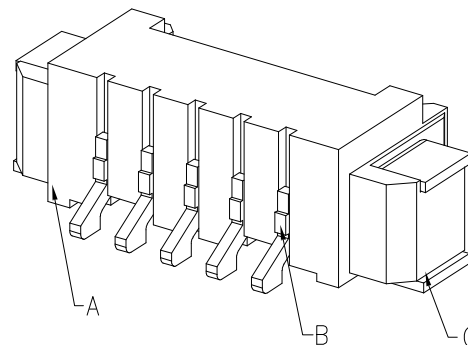
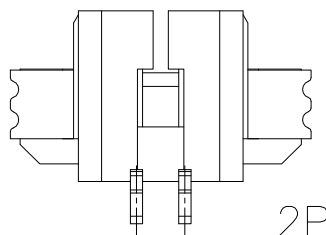
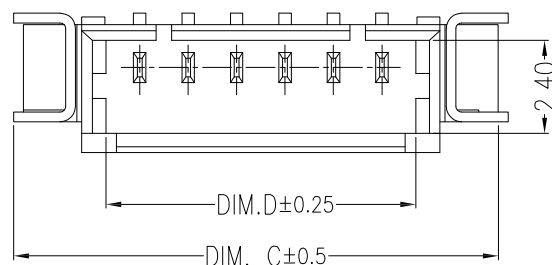
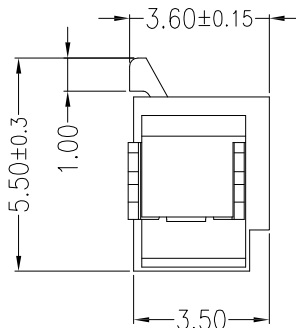
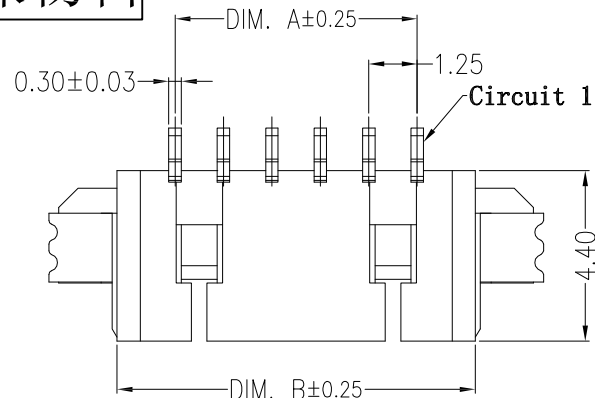


环保物料

主要技术参数 Main Specifications

线 数 (Poles): 02 to 16
 接触电阻 (Contact resistance): $\leq 20m\Omega$
 绝缘电阻 (Insulation resistance): $\geq 100M\Omega$
 额定电压 (Rated voltage): 125 V AC DC
 额定电流 (Rated current): 1.0A AC DC
 耐 电 压 (Withstand Voltage): 500V AC/minute
 温度范围 (Temperature Range): $-25^{\circ}C \sim +105^{\circ}C$



Circuit	Dimensions (mm)			
	DIM=A	DIM=B	DIM=C	DIM=D
02	1.25	4.25	7.75	3.20
03	2.50	5.50	9.00	4.45
04	3.75	6.75	10.25	5.70
05	5.00	8.00	11.50	6.95
06	6.25	9.25	12.75	8.20
07	7.50	10.50	14.00	9.45
08	8.75	11.75	15.25	10.70
09	10.00	13.00	16.50	11.95
10	11.25	14.25	17.75	13.20
11	12.50	15.50	19.00	14.45
12	13.75	16.75	20.25	15.70
13	15.00	18.00	21.50	16.95
14	16.25	19.25	22.75	18.20
15	17.50	20.50	24.00	19.45
16	18.75	21.75	25.25	20.70

C	SOLDER TAB	2 PCS	Brass	Sn-plated
B	CONTACT	2~16 PCS	PhosphorBronze	Sn/Gold/MATTE Sn-plated
A	PEDESTAL	1 PCS	LCP	UL 94V-0, COLOR:BEIGE
ITEM	COMPONENT	Q'TY	MATERIAL	FINISH

Assembly Layout

SUGGESTED PCB LAYOUT

GENERAL TOLERANCES		SCALE: 1:1		NAME		DATE	
LINEAR	ANGLES	APPROVED	黎腾	2017.06.16		PART. NO: 21251AWR	
0.0±0.35	X° REF±6°	DESIGNER	肖坤权	2017.06.16		DWG. NO:	
0.00±0.25	X° ±3°	DRAWN	旷淇	2017.06.16		REV: A0 SHEET: 1/1	
0.000±0.15	X° X'±2°	TITLE: 1.25mmPITCH 90° WAFER SMT TYPE					

康导新能源
 网址: www.dgonne.com 电话: 0769-85337633
 邮箱: 2850176886@qq.com 传真: 0769-85392827